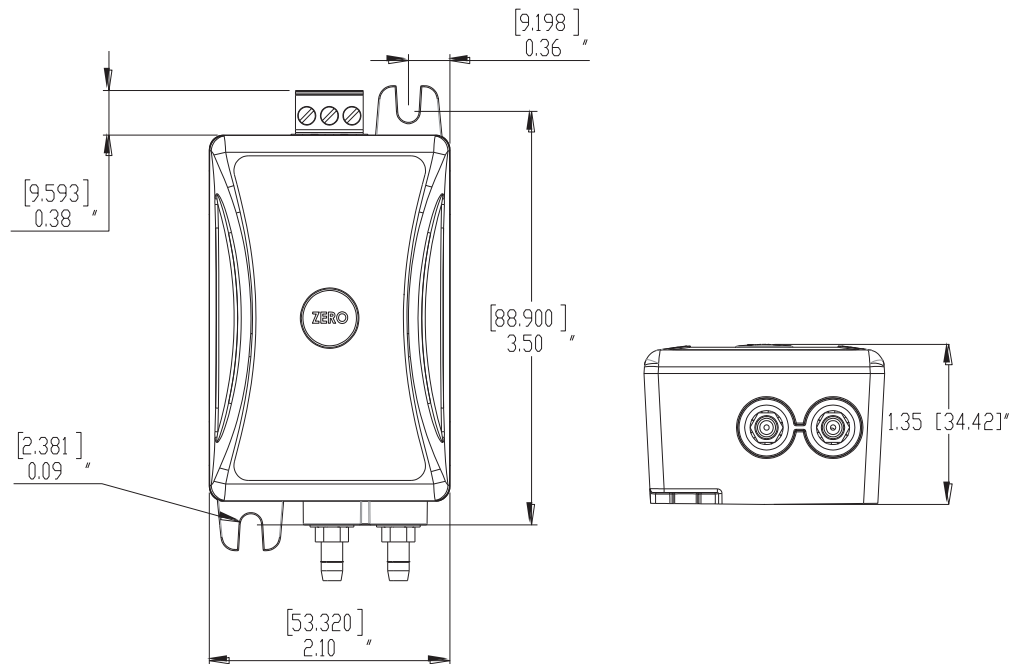


Installation and Operation

Instructions for a PL-MLP2-1.5-5



Precautions

- Remove power before wiring. Never connect or disconnect wiring with the power applied. Do not allow live wires to touch the circuit board.
- An isolation transformer is recommended when powering the device with 24VAC.
- Do not run the wiring in any conduit with line voltage.
- Failure to wire devices with the correct polarity when using a shared transformer may result in damage to any device powered by the shared transformer.
- Do not remove the cover. All user features are accessible from the outside of the unit.

Mounting

Using the two #8 x 3/4" self drilling mounting screws, mount the unit vertically with the brass fittings pointing towards the ground. Attach the unit to the mounting surface using the two mounting openings located on the top and bottom flanges. This ensures that any condensation that may form in the tubing does not have an effect on the pressure sensor. If mounting the unit horizontally, a slight zero shift may occur and care must be taken to prevent moisture from building up in the sensor.

Wiring

Shielded cable with 16 to 22AWG conductors is recommended. Use the Wiring Connections table below to determine the proper wiring for your application. Insert the wire into the depluggable terminal block sockets and tighten the screws. In some circumstances, it may be easier to remove the terminal blocks while connecting the wires.

Output Signal	Supply Voltage	Wire Connections		
VDC	AC/DC	VIN	GND	OUT
mA	AC	VIN	GND	OUT
mA	DC	VIN	-	OUT

Pressure connections

The recommended connection tubing is ¼" push-on tubing (1/8" – 3/16" I.D.). ProLon recommends to keep the tubing runs as short as possible so as to not affect the response time.

Zero adjustment

The Zero adjustment should only be performed with no pressure applied.

Small positive or negative pressure offsets can be removed using the Zero push button. Make sure that there is no pressure at the HI and LO pressure fittings. Additionally, a small piece of tubing can be connected between the HI and LO brass fittings to neutralize any external pressure effects. Press and hold the Zero button for 5 seconds. MLP2 will enter zero mode AFTER push button is released.

WEEE Directive

At the end of their useful life the packaging and product should be disposed of via a suitable recycling centre. Do not dispose of with household waste. Do not burn.

