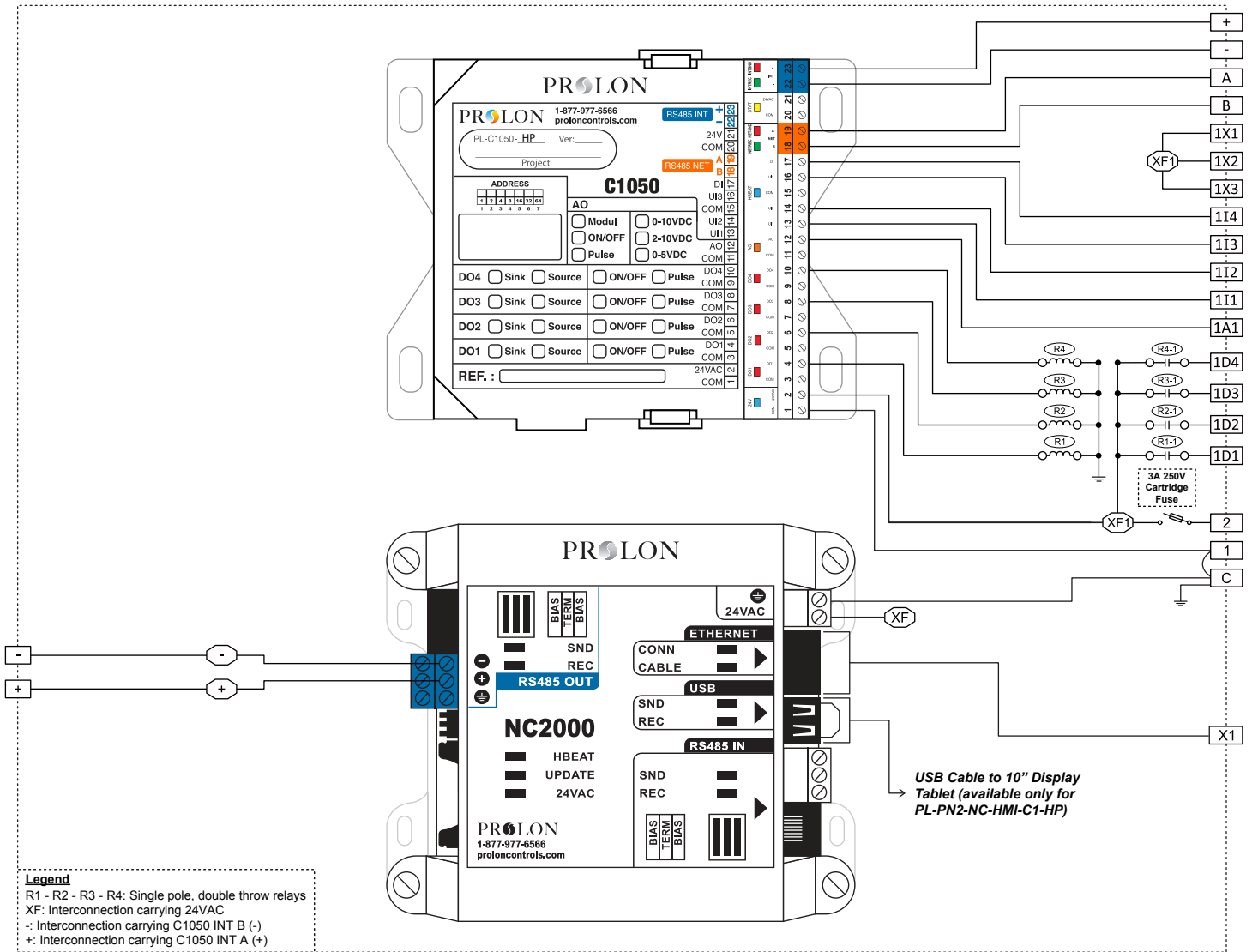


PL-PN2-NC-HMI-C1-HP / PL-PN2-NC-WOD-C1-HP

VERSION 7

Internal Electrical Wiring Diagram



Field Wiring Details

ALL TERMINALS: Use Copper Conductors Only, 105°C/220°F, Maximum Torque Conductor Mounting: 0.5Nm

Terminal	Function	Ratings	Terminal	Function	Ratings
⏚	GROUND	N/A	1I4	External Dry Contact for Night Setback or Proof of Fan	N/A
1	Power Supply Input Common	N/A	1X3	Power Supply 24VAC	24VAC, 60Hz
2	Power Supply Input 24VAC	24VAC, 3A, 60Hz	1X2	Power Supply 24VAC	24VAC, 60Hz
1D1	Output 1 - Fan (G)	24VAC, 300mA	1X1	Power Supply 24VAC	24VAC, 60Hz
1D2	Output 2 - Compressor 1	24VAC, 300mA	+	C1050 RS485 INT A (+)	N/A
1D3	Output 3 - Compressor 2	24VAC, 300mA	-	C1050 RS485 INT B (-)	N/A
1D4	Output 4 - Rev Valve	24VAC, 300mA	A	C1050 RS485 NET A (+)	N/A
1A1	Output 5 - Aux Heat	0-10VDC, 40mA	B	C1050 RS485 NET B (-)	N/A
1I1	Outside Temp, Water Intake Temp (10K thermistor)	N/A	X1	NC2000 Ethernet Connection (Use CAT5e Patch Cable)	N/A
1I2	Return Temperature Sensor (10K thermistor)	N/A	C	COMMON	N/A
1I3	Supply Temperature Sensor (10K thermistor)	N/A			