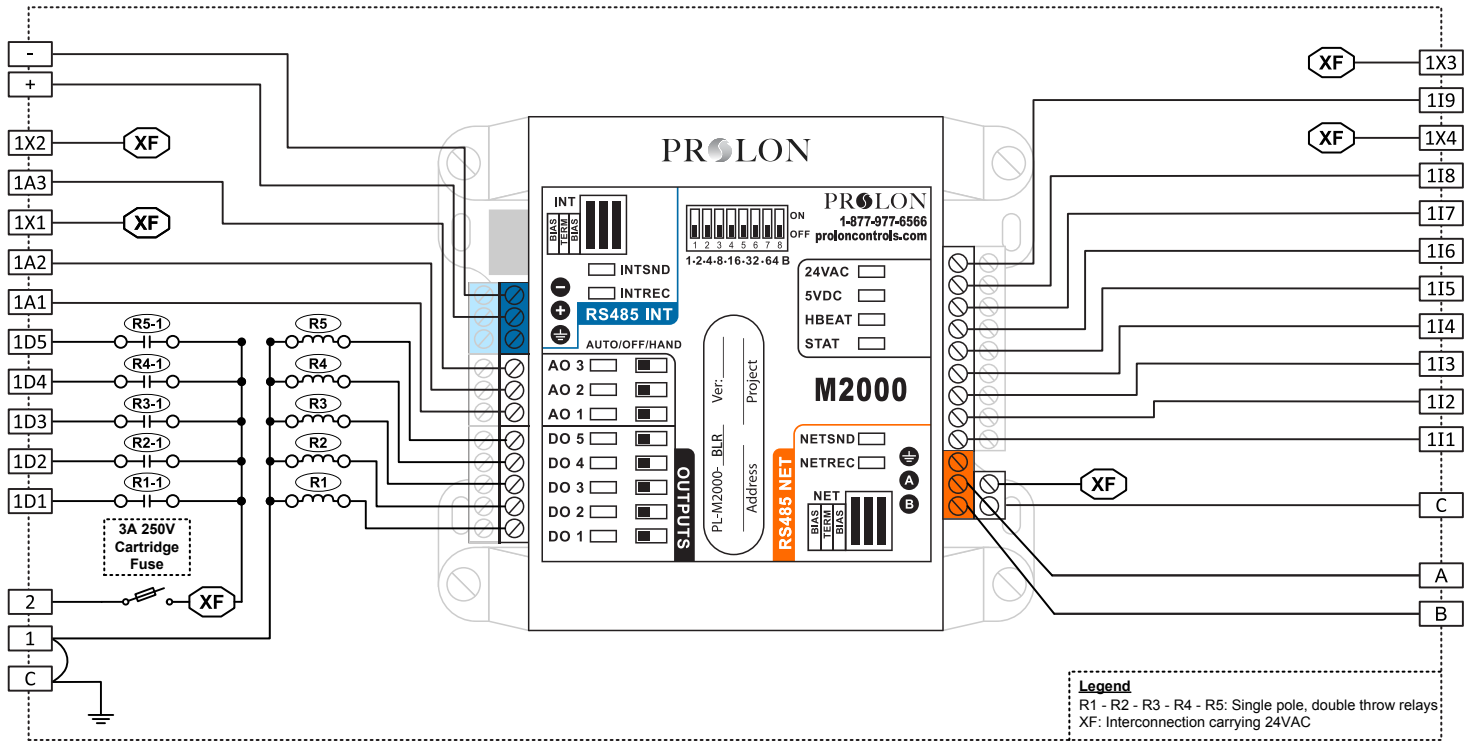


PL-PN1-7C

VERSION 5

Internal Electrical Wiring Diagram



Field Wiring Details

ALL TERMINALS (except 14 & 16): Use Copper Conductors Only, 105°C/220°F, Maximum Torque Conductor Mounting: 0.5Nm

Terminal	Function	Ratings
⏚	GROUND	N/A
1	Power Supply Input Common	N/A
2	Power Supply Input 24VAC	24VAC, 3A, 60Hz
1D1	(R1) - Boiler Stage 1 Output	24VAC, 300mA
1D2	(R2) - Boiler Stage 2 Output	24VAC, 300mA
1D3	(R3) - Boiler Stage 3 Output	24VAC, 300mA
1D4	(R4) - Boiler Stage 4 Output	24VAC, 300mA
1D5	(R5) - Pump 1 Output	24VAC, 300mA
1A1	Pump 2 Output	0-10VDC, 40mA
1A2	Modulating Boiler Output	0-10VDC, 40mA
1X1	24VAC Supply	24VAC, 8.5VA
1A3	Valve or Backup Modulating Boiler	0-10VDC, 40mA
1X2	24VAC Supply	24VAC, 5VA
1X3	24VAC Supply	24VAC, 0.03A
119	N/A	N/A

Terminal	Function	Ratings
1X4	24VAC Supply	24VAC, 6.7VA
118	N/A	N/A
117	Dry Contact to Disable Boiler Call	N/A
116	Dry Contact for Max Heat Setpoint	N/A
115	Dry Contact for Proof of Pump 2	N/A
114	Dry Contact for Proof of Pump 1	N/A
113	Return Water Temperature Thermistor (10K Type 3)	N/A
112	Supply Water Temperature Thermistor (10K Type 3)	N/A
111	Outside Air Temperature Thermistor (10K Type 3)	N/A
+	M2000 RS485 INT A (+)	N/A
-	M2000 RS485 INT B (-)	N/A
A	M2000 RS485 NET A (+)	N/A
B	M2000 RS485 NET B (-)	N/A
C	COMMON	N/A

PROLON

1-877-9PROLON

www.proloncontrols.com

This device complies with Part 15 of the FCC Rules. Operation is subject to the following two conditions: (1) this device may not cause harmful interference, and (2) this device must accept any interference received, including interference that may cause undesired operation.

info@proloncontrols.com