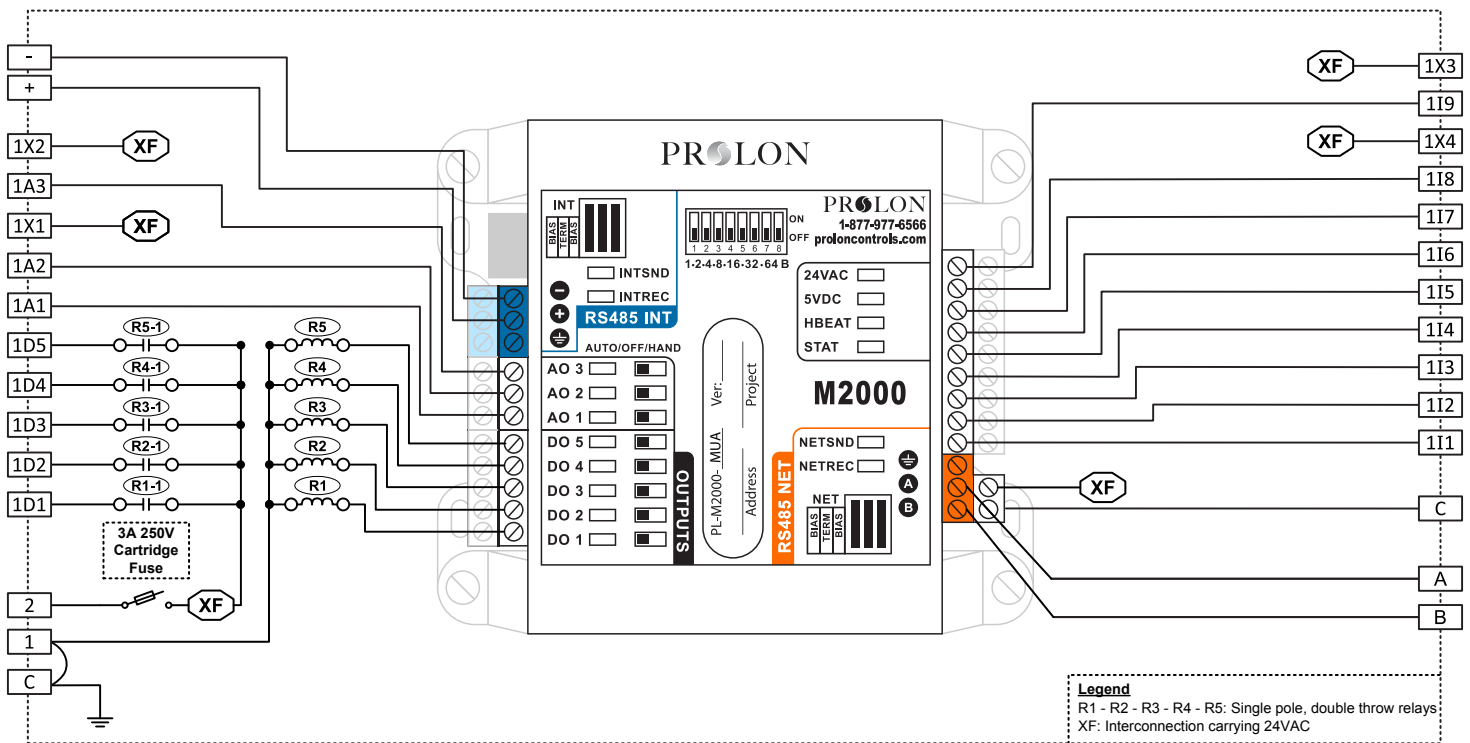


PL-PN1-7K

VERSION 6

Internal Electrical Wiring Diagram



Field Wiring Details

ALL TERMINALS: Use Copper Conductors Only, 105°C/220°F, Maximum Torque Conductor Mounting: 0.5Nm

Terminal	Function	Ratings
	GROUND	N/A
1	Power Supply Input Common	N/A
2	Power Supply Input 24VAC	24VAC, 3A, 60Hz
1D1	(R1) - Occupancy Output	24VAC, 300mA
1D2	(R2) - Outside Air Damper Output	24VAC, 300mA
1D3	(R3) - Fan Output	24VAC, 300mA
1D4	(R4) - Preheat Permission Output	24VAC, 300mA
1D5	(R5) - Alarm Output	24VAC, 300mA
1A1	Modulating Heat Output	0-10VDC, 40mA
1A2	Cooling Output	0-10VDC, 40mA
1X1	24 VAC Supply	24VAC, 8.5VA
1A3	VFD VFD Output	0-10VDC, 40mA
1X2	VFD Supply	24VAC, 5VA
1X3	Static Pressure Sensor Supply	24VAC, 0.03A
119	CO2 / Building Pressure	0-5VDC, 20mA

Terminal	Function	Ratings
1X4	CO2 Sensor Supply	24VAC, 6.7VA
118	Zone Temperature	N/A
117	Outside Temperature	N/A
116	Supply Temperature	N/A
115	Dry Contact for: Manual Reset	N/A
114	Dry Contact for: Proof of Fan	N/A
113	Dry Contact for: Outside Air Damper	N/A
112	Dry Contact for: Exhaust 2 / Manual override	N/A
111	Dry Contact for: Exhaust 1	N/A
+	M2000 RS485 INT A (+)	N/A
-	M2000 RS485 INT B (-)	N/A
A	M2000 RS485 NET A (+)	N/A
B	M2000 RS485 NET B (-)	N/A
C	COMMON	N/A