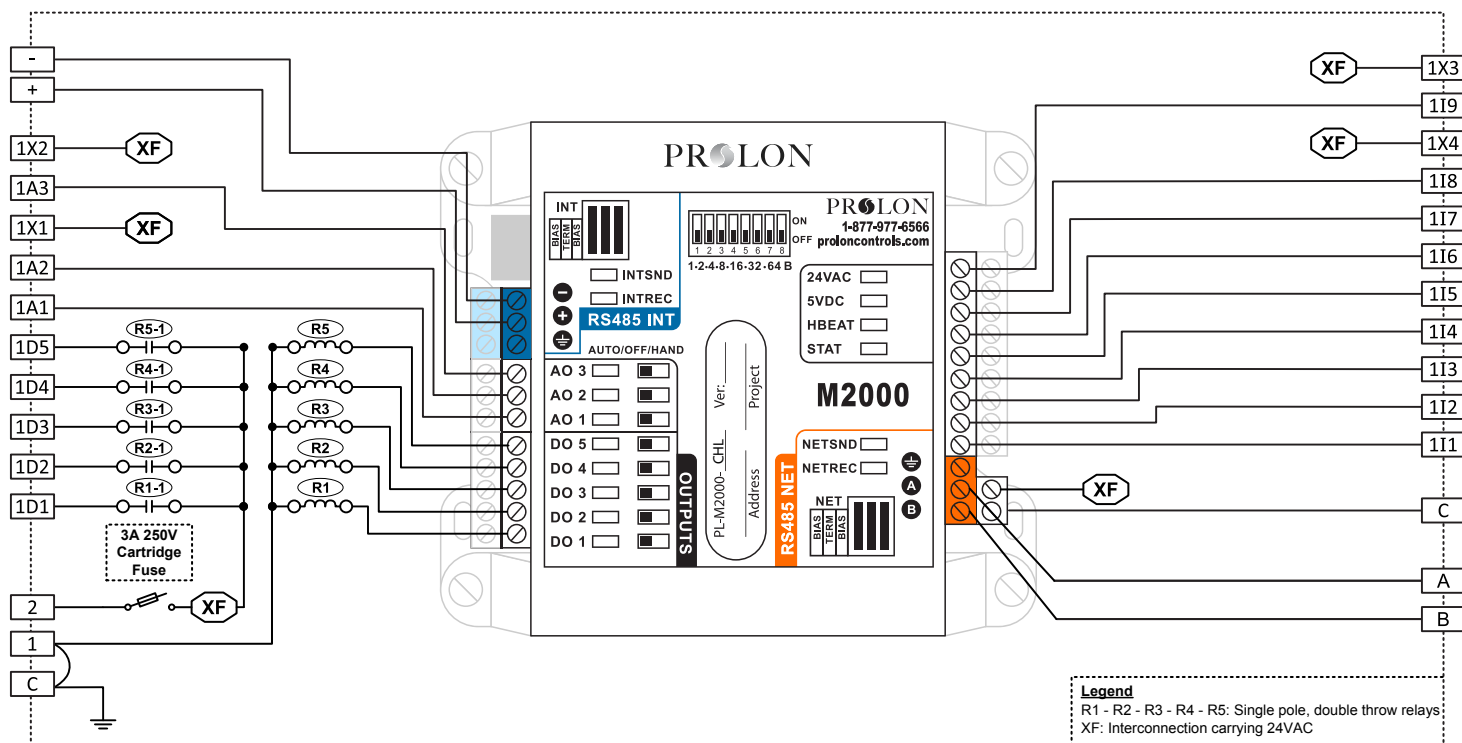


PL-PN1-7D

VERSION 4

Internal Electrical Wiring Diagram



Field Wiring Details

ALL TERMINALS: Use Copper Conductors Only, 105°C/220°F, Maximum Torque Conductor Mounting: 0.5Nm

Terminal	Function	Ratings
⏚	GROUND	N/A
1	Power Supply Input Common	N/A
2	Power Supply Input 24VAC	24VAC, 3A, 60Hz
1D1	(R1) - Pump 1	24VAC, 300mA
1D2	(R2) - Pump 2	24VAC, 300mA
1D3	(R3) - Chiller 1	24VAC, 300mA
1D4	(R4) - Chiller 2	24VAC, 300mA
1D5	(R5) - Chiller 3	24VAC, 300mA
1A1	VFD Pump 1	0-10VDC, 40mA
1A2	VFD Pump 2	0-10VDC, 40mA
1X1	24VAC Supply	24VAC, 8.5VA
1A3	Chiller 4	0-10VDC, 40mA
1X2	24VAC Supply	24VAC, 5VA
1X3	24VAC Supply	24VAC, 0.03A
119	Dry Contact for Alarm	N/A

Terminal	Function	Ratings
1X4	24 VAC Supply	24VAC, 6.7VA
118	Water Pressure	5VDC, 20mA
117	Condenser Water Temperature Leaving (Thermistor 10K Type 3)	N/A
116	Condenser Water Temperature Entering (Thermistor 10K Type 3)	N/A
115	Dry Contact for Proof of Pump 2	N/A
114	Dry Contact for Proof of Pump 1	N/A
113	Return Water Temperature Thermistor (10K Type 3)	N/A
112	Supply Water Temperature Thermistor (10K Type 3)	N/A
111	Outside Air Temperature Thermistor (10K Type 3)	N/A
+	M2000 RS485 INT A (+)	N/A
-	M2000 RS485 INT B (-)	N/A
A	M2000 RS485 NET A (+)	N/A
B	M2000 RS485 NET B (-)	N/A
C	COMMON	N/A