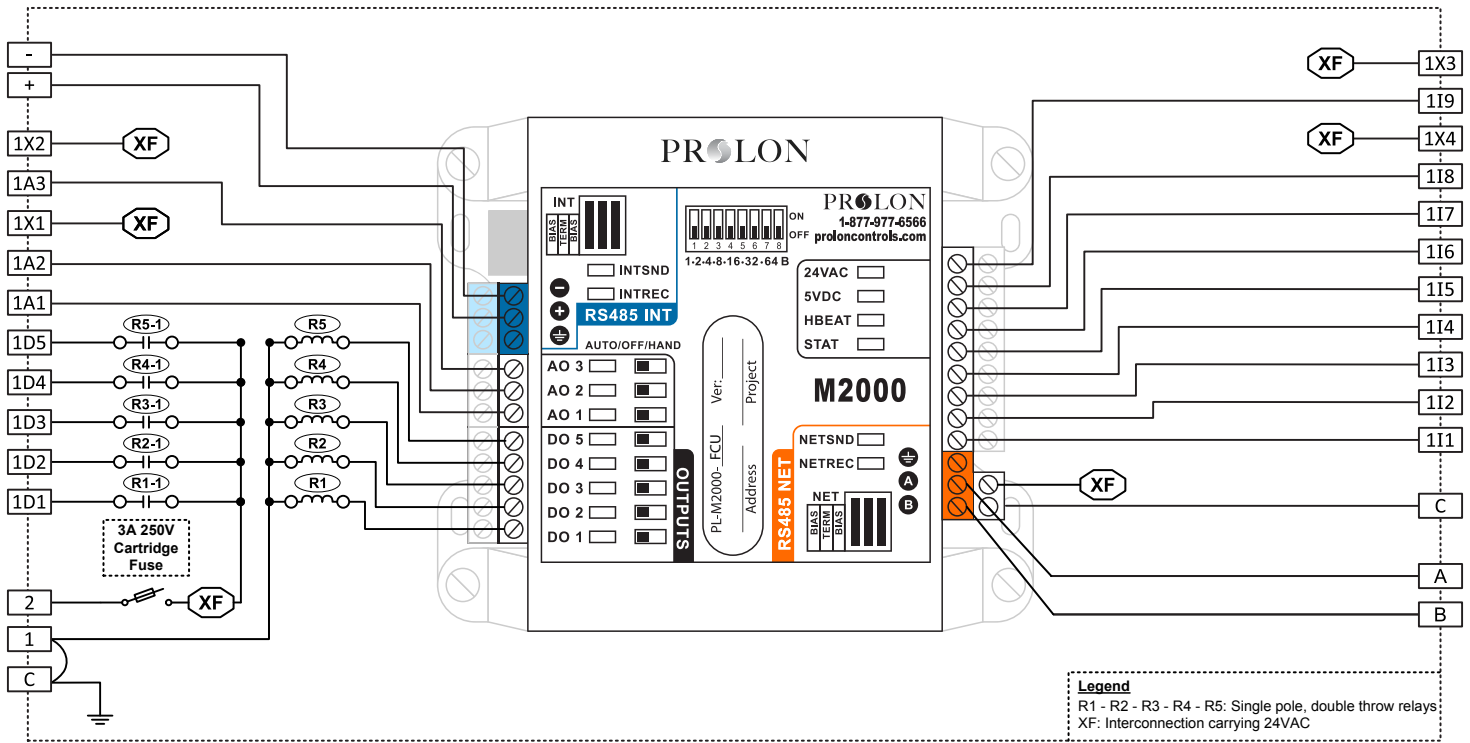


PL-PN1-7E

VERSION 5

Internal Electrical Wiring Diagram (Four Pipe System)



Field Wiring Details

ALL TERMINALS: Use Copper Conductors Only, 105°C/220°F, Maximum Torque Conductor Mounting: 0.5Nm

Terminal	Function	Ratings
⏚	GROUND	N/A
1	Power Supply Input Common	N/A
2	Power Supply Input 24VAC	24VAC, 3A, 60Hz
1D1	(R1) - DO1 - Fan Speed 1	24VAC, 300mA
1D2	(R2) - DO2 - Fan Speed 2	24VAC, 300mA
1D3	(R3) - DO3 - N/A	N/A
1D4	(R4) - DO4 - ON/OFF Cool Valve	24VAC, 300mA
1D5	(R5) - DO5 - ON/OFF Heat Valve / Reheat	24VAC, 300mA
1A1	AO1 - Modulating Reheat	0-10VDC, 40mA
1A2	AO2 - Modulating Cool Valve	0-10VDC, 40mA
1X1	24VAC Supply	24VAC, 8.5VA
1A3	AO3 - Modulating Heat Valve	0-10VDC, 40mA
1X2	24VAC Supply	24VAC, 5VA
1X3	24VAC Supply	24VAC, 0.03A
119	AI9 - N/A	N/A

Terminal	Function	Ratings
1X4	24VAC Supply	24VAC, 6.7VA
118	AI8 - Alarm (Dry Contact)	N/A
117	AI7 - Proof of Fan (Dry Contact)	N/A
116	AI6 - Zone Setpoint ((0-9K) for potentiometer)	N/A
115	AI5 - Zone Air Temperature (10K Type 3)	N/A
114	AI4 - Cold Water Temperature (10K Type 3) (optional)	N/A
113	AI3 - Supply Air Temperature (10K Type 3)	N/A
112	AI2 - Hot Water Temperature (10K Type 3) (optional)	N/A
111	AI1 - Outside Air Temperature (10K Type 3)	N/A
+	M2000 RS485 INT A (+)	N/A
-	M2000 RS485 INT B (-)	N/A
A	M2000 RS485 NET A (+)	N/A
B	M2000 RS485 NET B (-)	N/A
C	COMMON	N/A