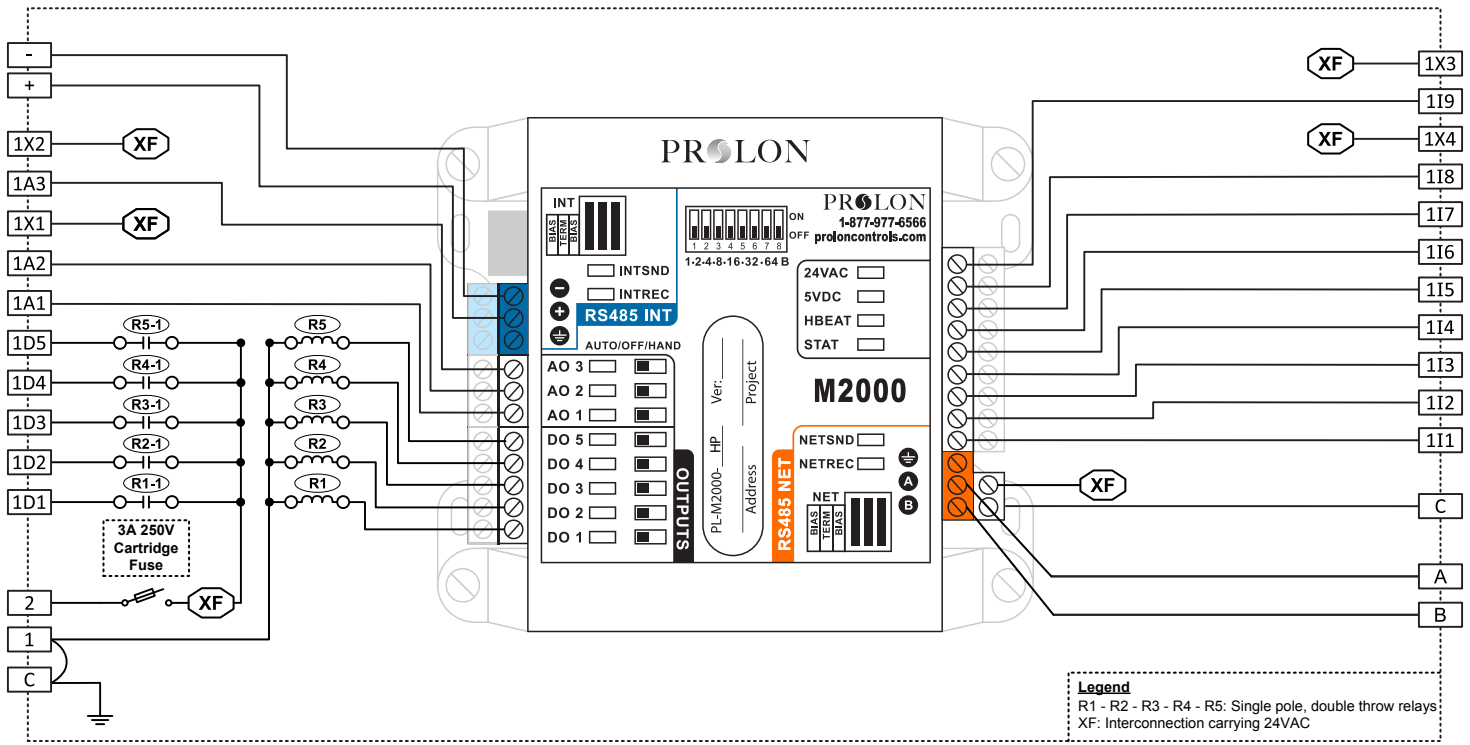


# PL-PN1-7G

VERSION 7

## Internal Electrical Wiring Diagram



## Field Wiring Details

**ALL TERMINALS:** Use Copper Conductors Only, 105°C/220°F, Maximum Torque Conductor Mounting: 0.5Nm

Terminal	Function	Ratings
	GROUND	N/A
1	Power Supply Input Common	N/A
2	Power Supply Input 24VAC	24VAC, 3A, 60Hz
1D1	(R1) - DO1 - Fan (G)	24VAC, 300mA
1D2	(R2) - DO2 - Compressor 1 (Y1)	24VAC, 300mA
1D3	(R3) - DO3 - Compressor 2 (Y2)	24VAC, 300mA
1D4	(R4) - DO4 - Rev Valve	24VAC, 300mA
1D5	(R5) - DO5 - Aux Heat	24VAC, 300mA
1A1	AO1 - Preheating / Mod. Heat	0-10VDC, 40mA
1A2	AO2 - Economizer	0-10VDC, 40mA
1X1	Economizer Supply	24VAC, 8.5VA
1A3	AO3 - Bypass / VFD	0-10VDC, 40mA
1X2	Bypass or VFD Supply	24VAC, 5VA
1X3	Static Pressure Sensor Supply	24VAC, 0.03A
1I9	Static Pressure (0-5/1-5V) (1/1.5/2/2.5 in)	0-5VDC, 5uA

Terminal	Function	Ratings
1X4	CO2 Sensor Supply	24VAC, 6.7VA
1I8	Ext dry contact for alarm/ CO2 sensor (4-20 mA)	4-20mA, 1-5VDC
1I7	External dry contact for proof of fan	N/A
1I6	Zone Setpoint Potentiometer (0-10K potentiometer)	N/A
1I5	Zone Temperature Thermistor (10K Type 3)	N/A
1I4	Dry contact for clogged filter/ Dry contact for schedule override/ Supply Water Temp (10K Type 3 thermistor)	N/A
1I3	Supply Air Temperature Thermistor (10K Type 3)	N/A
1I2	Return Air Temperature Thermistor (10K Type 3)	N/A
1I1	Outside Air Temp. Sensor (10K therm) / Supply Water Temp. Sensor (10K therm)	N/A
+	M2000 RS485 INT A (+)	N/A
-	M2000 RS485 INT B (-)	N/A
A	M2000 RS485 NET A (+)	N/A
B	M2000 RS485 NET B (-)	N/A
C	COMMON	N/A