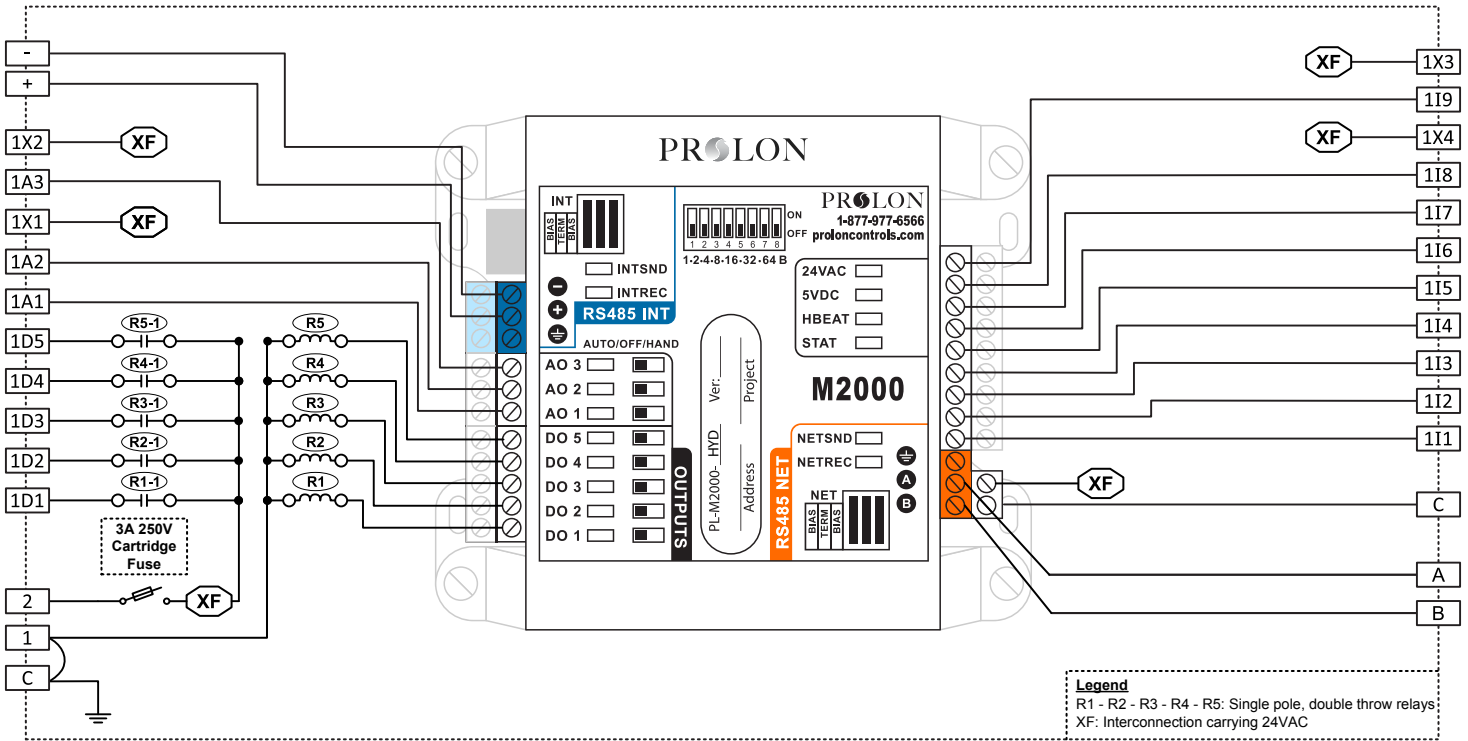


# PL-PN1-7J

VERSION 5

## Internal Electrical Wiring Diagram



## Field Wiring Details

**ALL TERMINALS:** Use Copper Conductors Only, 105°C/220°F, Maximum Torque Conductor Mounting: 0.5Nm

Terminal	Function	Ratings
	GROUND	N/A
1	Power Supply Input Common	N/A
2	Power Supply Input 24VAC	24VAC, 3A, 60Hz
1D1	- Digital Output 1	24VAC, 300mA
1D2	- Digital Output 2	24VAC, 300mA
1D3	- Digital Output 3	24VAC, 300mA
1D4	- Digital Output 4	24VAC, 300mA
1D5	- Digital Output 5	24VAC, 300mA
1A1	Analog Output 1	0-10VDC, 40mA
1A2	Analog Output 2	0-10VDC, 40mA
1X1	24VAC Supply	24VAC, 8.5VA
1A3	Analog Output 3	0-10VDC, 40mA
1X2	24VAC Supply	24VAC, 5VA
1X3	24VAC Supply	24VAC, 0.03A
1I9	Analog Output 9	N/A

Terminal	Function	Ratings
1X4	24VAC Supply	24VAC, 6.7VA
1I8	Analog Input 8	N/A
1I7	Analog Input 7	N/A
1I6	Analog Input 6	N/A
1I5	Analog Input 5	N/A
1I4	Analog Input 4	N/A
1I3	Analog Input 3	N/A
1I2	Analog Input 2	N/A
1I1	Analog Input 1	N/A
+	M2000 RS485 INT A (+)	N/A
-	M2000 RS485 INT B (-)	N/A
A	M2000 RS485 NET A (+)	N/A
B	M2000 RS485 NET B (-)	N/A
C	COMMON	N/A