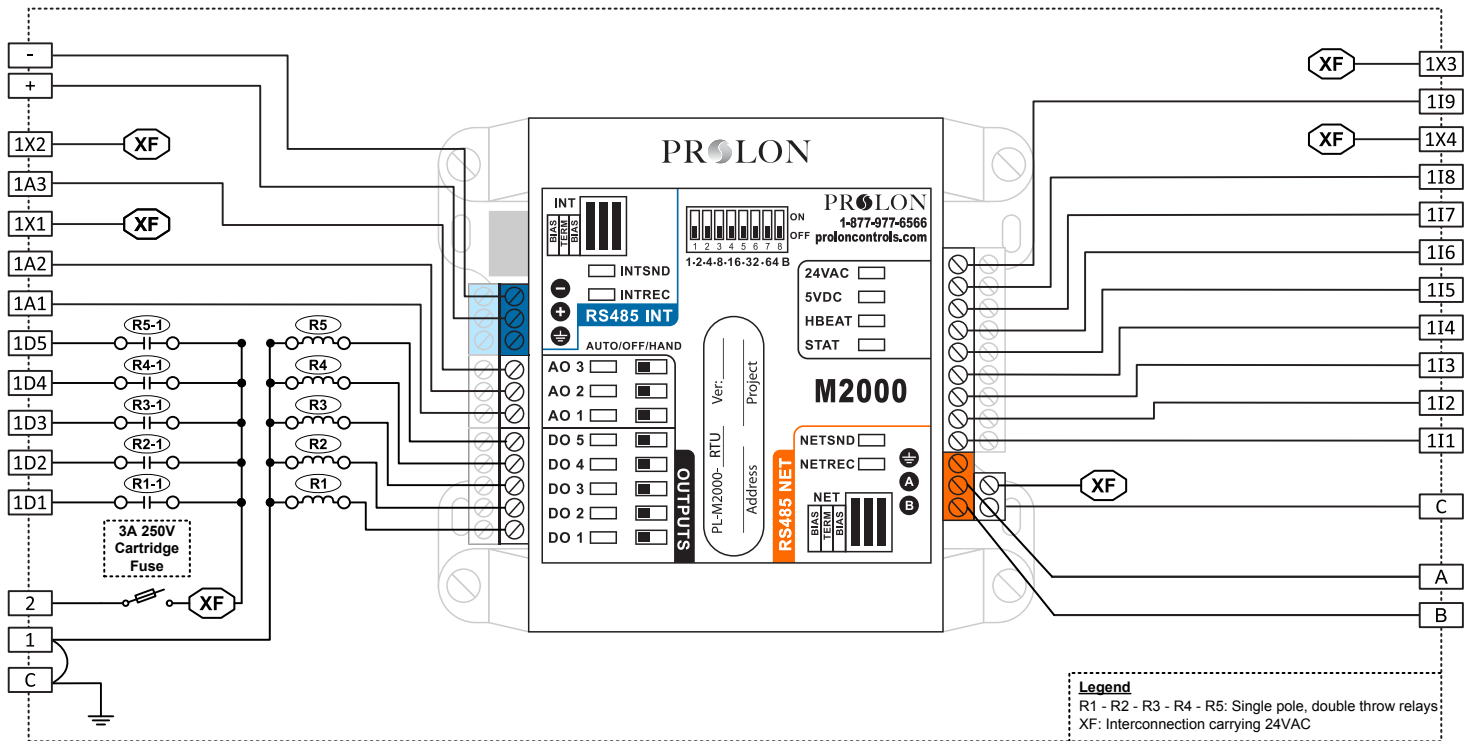


PL-PN1-7M

VERSION 14

Internal Electrical Wiring Diagram



Field Wiring Details

ALL TERMINALS: Use Copper Conductors Only, 105°C/220°F, Maximum Torque Conductor Mounting: 0.5Nm

Terminal	Function	Ratings
⏚	GROUND	N/A
1	Power Supply Input Common	N/A
2	Power Supply Input 24VAC	24VAC, 3A, 60Hz
1D1	(R1) - Fan Output (G)	24VAC, 300mA
1D2	(R2) - Cooling Output 1 (Y1)	24VAC, 300mA
1D3	(R3) - Cooling Output 2 (Y2)	24VAC, 300mA
1D4	(R4) - Heating Output 1 (W1)	24VAC, 300mA
1D5	(R5) - Heating Output 2 (W2) or Exhaust Fan	24VAC, 300mA
1A1	Modulating Heating Output	0-10VDC, 40mA
1A2	Economizer Control Output	0-10VDC, 40mA
1X1	Economizer Supply	24VAC, 8.5VA
1A3	Bypass or VFD Control Output	0-10VDC, 40mA
1X2	Bypass or VFD Supply	24VAC, 5VA
1X3	Static Pressure Sensor Supply	24VAC, 0.03A
119	Static Pressure Sensor Input Signal	0-5VDC, 5uA

Terminal	Function	Ratings
1X4	CO2 Sensor Supply	24VAC, 6.7VA
118	CO2 Sensor Input Signal	4-20mA, 1-5VDC
117	Dry Contact for Proof of Fan	N/A
116	Zone Setpoint Potentiometer (0-9K)	N/A
115	Zone Temperature Thermistor (10K Type 3)	N/A
114	Variable Function Temperature Sensor	N/A
113	Supply Air Temperature Thermistor (10K Type 3)	N/A
112	Return Air Temperature Thermistor (10K Type 3)	N/A
111	Outside Air Temperature Thermistor (10K Type 3)	N/A
+	M2000 RS485 INT A (+)	N/A
-	M2000 RS485 INT B (-)	N/A
A	M2000 RS485 NET A (+)	N/A
B	M2000 RS485 NET B (-)	N/A
C	COMMON	N/A