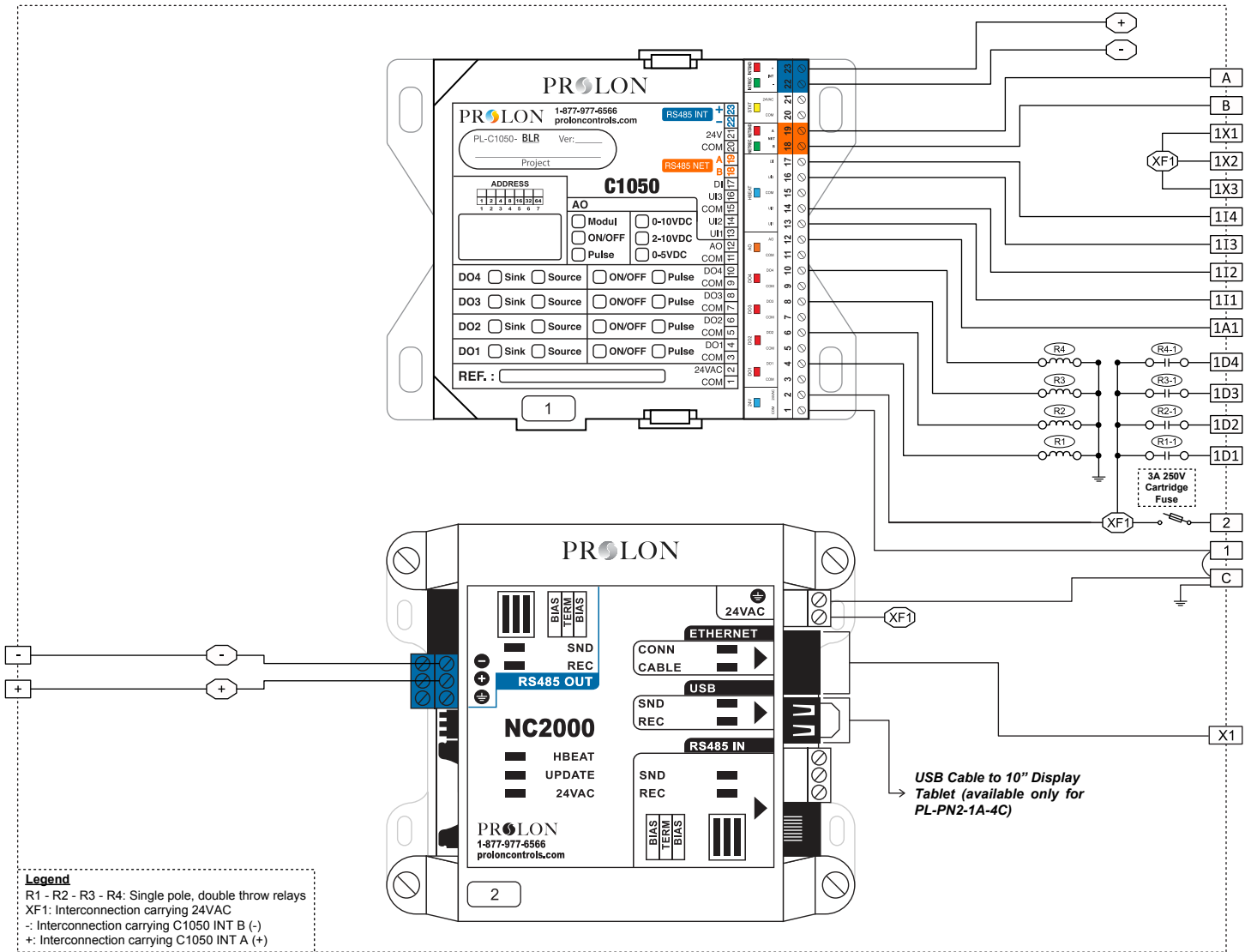


# PL-PN2-1A-4C / PL-PN2-1B-4C

VERSION 8

## Internal Electrical Wiring Diagram



## Field Wiring Details

**ALL TERMINALS:** Use Copper Conductors Only, 105°C/220°F, Maximum Torque Conductor Mounting: 0.5Nm

| Terminal | Function   | Ratings         |
|----------|--|-----------------|
| ⏚        | GROUND   | N/A             |
| 1        | Power Supply Input Common                            | N/A             |
| 2        | Power Supply Input 24VAC                             | 24VAC, 3A, 60Hz |
| 1D1      | (R1) - Output 1 - Pump 1 action (digital - ON/OFF)   | 24VAC, 300mA    |
| 1D2      | (R2) - Output 2 - Pump 2 action (digital - ON/OFF)   | 24VAC, 300mA    |
| 1D3      | (R3) - Output 3 - Boiler 1 action (digital - ON/OFF) | 24VAC, 300mA    |
| 1D4      | (R4) - Output 4 - Boiler 2 action (digital - ON/OFF) | 24VAC, 300mA    |
| 1A1      | Output 5 - Valve (analog 0-10 / 2-10 / 0-5 VDC)      | 0-10VDC, 40mA   |
| 1I1      | Outside air temperature sensor (10K thermistor)      | N/A             |
| 1I2      | Return water temperature sensor (10K thermistor)     | N/A             |
| 1I3      | Supply water temperature sensor (10K thermistor)     | N/A             |

| Terminal | Function  | Ratings     |
|----------|---|-------------|
| 1I4      | External dry contact for proof of pump                | N/A         |
| 1X3      | Power Supply 24VAC                                    | 24VAC, 60Hz |
| 1X2      | Power Supply 24VAC                                    | 24VAC, 60Hz |
| 1X1      | Power Supply 24VAC                                    | 24VAC, 60Hz |
| +        | C1050 RS485 INT A (+)                                 | N/A         |
| -        | C1050 RS485 INT B (-)                                 | N/A         |
| A        | C1050 RS485 NET A (+)                                 | N/A         |
| B        | C1050 RS485 NET B (-)                                 | N/A         |
| X1       | NC2000 Ethernet Connection<br>(Use CAT5e Patch Cable) | N/A         |
| C        | COMMON  | N/A         |