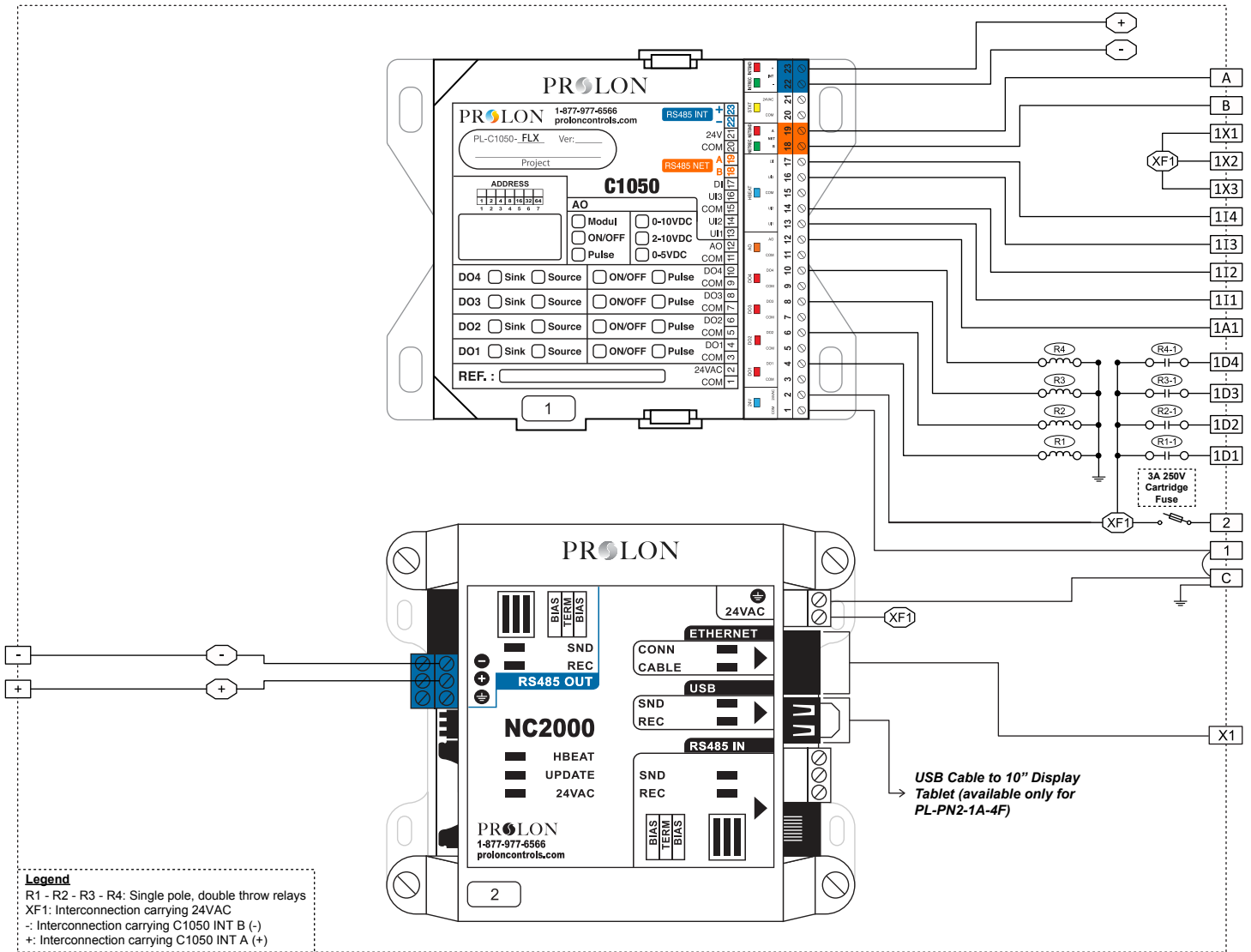


# PL-PN2-1A-4F / PL-PN2-1B-4F

VERSION 8

## Internal Electrical Wiring Diagram



### Field Wiring Details

**ALL TERMINALS:** Use Copper Conductors Only, 105°C/220°F, Maximum Torque Conductor Mounting: 0.5Nm

Terminal	Function	Ratings
⏚	GROUND	N/A
1	Power Supply Input Common	N/A
2	Power Supply Input 24VAC	24VAC, 3A, 60Hz
1D1	(R1) - Digital Output 1	24VAC, 300mA
1D2	(R2) - Digital Output 2	24VAC, 300mA
1D3	(R3) - Digital Output 3	24VAC, 300mA
1D4	(R4) - Digital Output 4	24VAC, 300mA
1A1	Analog Output 1	0-10VDC, 40mA
1I1	Universal Input 1	N/A
1I2	Universal Input 2	N/A
1I3	Universal Input 3	N/A

Terminal	Function	Ratings
1I4	Digital Input (Dry Contact)	N/A
1X3	Power Supply 24VAC	24VAC, 60Hz
1X2	Power Supply 24VAC	24VAC, 60Hz
1X1	Power Supply 24VAC	24VAC, 60Hz
+	C1050 RS485 INT A (+)	N/A
-	C1050 RS485 INT B (-)	N/A
A	C1050 RS485 NET A (+)	N/A
B	C1050 RS485 NET B (-)	N/A
X1	NC2000 Ethernet Connection (Use CAT5e Patch Cable)	N/A
C	COMMON	N/A