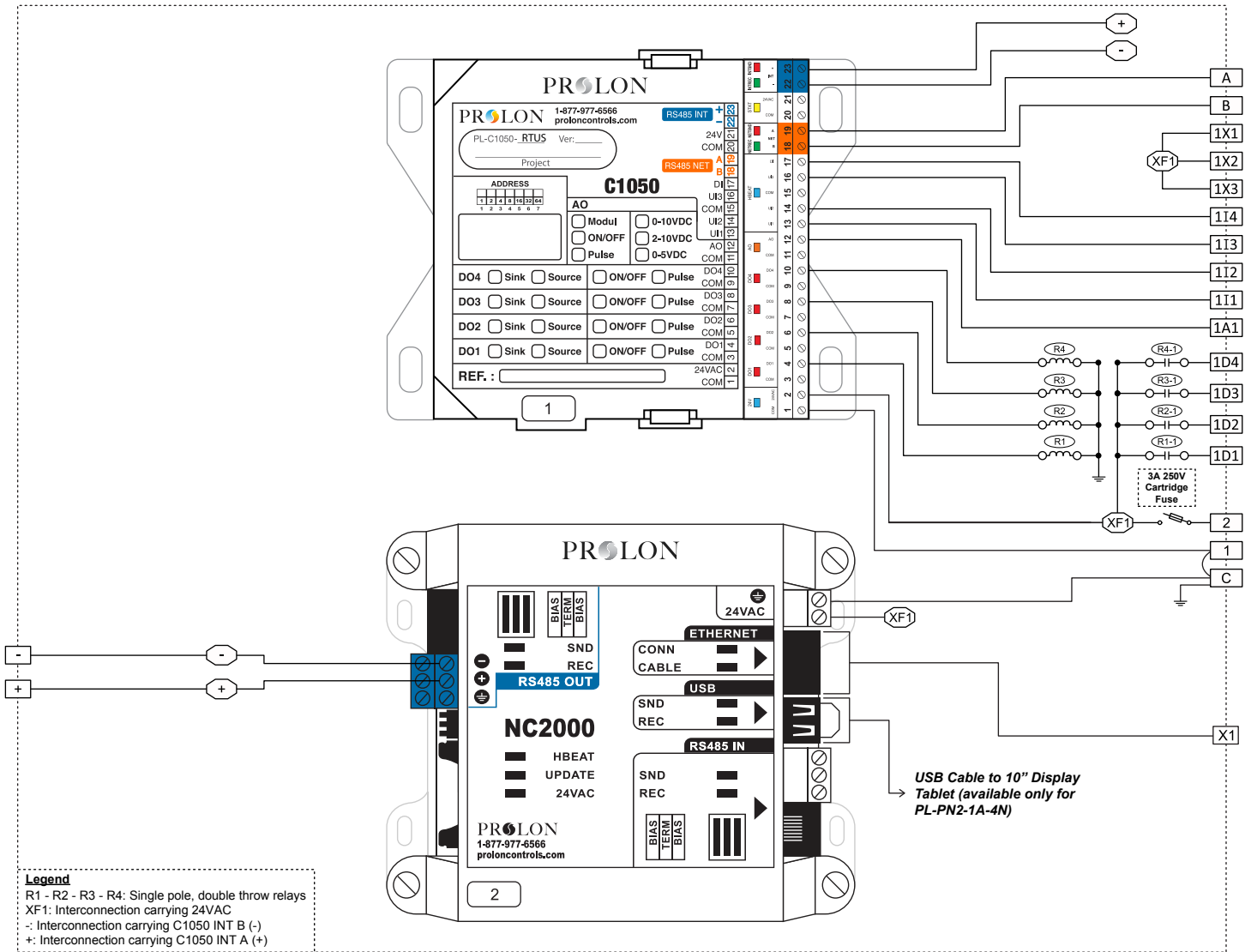


PL-PN2-1A-4N / PL-PN2-1B-4N

VERSION 8

Internal Electrical Wiring Diagram



Field Wiring Details

ALL TERMINALS: Use Copper Conductors Only, 105°C/220°F, Maximum Torque Conductor Mounting: 0.5Nm

Terminal	Function	Ratings
⏚	GROUND	N/A
1	Power Supply Input Common	N/A
2	Power Supply Input 24VAC	24VAC, 3A, 60Hz
1D1	(R1) - Output 1 - Fan (G)	24VAC, 300mA
1D2	(R2) - Output 2 - Cooling (Y1)	24VAC, 300mA
1D3	(R3) - Output 3 - Cooling (Y2)	24VAC, 300mA
1D4	(R4) - Output 4 - Heat (W1)	24VAC, 300mA
1A1	Output 5 (Analog 0-10VDC) -Preheating / Heat (W2)	0-10VDC, 40mA
1I1	Outside Air Temperature Sensor (10K Thermistor)	N/A
1I2	Return Air Temperature Sensor (10K Thermistor)	N/A
1I3	Supply Temperature Sensor (10K Thermistor)	N/A

Terminal	Function	Ratings
1I4	External Dry Contact for Night Setback or Proof of Fan	N/A
1X3	Power Supply 24VAC	24VAC, 60Hz
1X2	Power Supply 24VAC	24VAC, 60Hz
1X1	Power Supply 24VAC	24VAC, 60Hz
+	C1050 RS485 INT A (+)	N/A
-	C1050 RS485 INT B (-)	N/A
A	C1050 RS485 NET A (+)	N/A
B	C1050 RS485 NET B (-)	N/A
X1	NC2000 Ethernet Connection (Use CAT5e Patch Cable)	N/A
C	COMMON	N/A