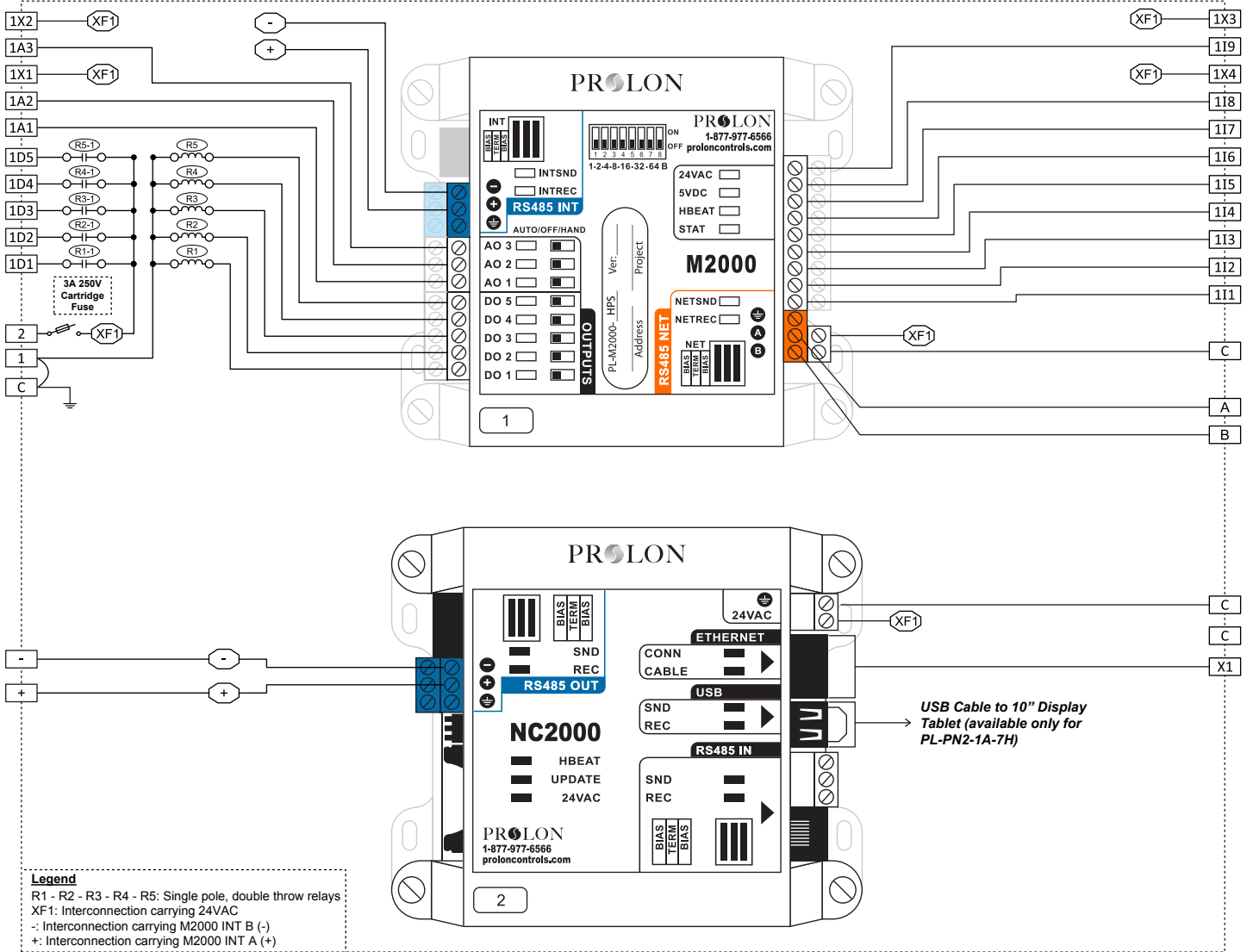


PL-PN2-1A-7H / PL-PN2-1B-7H

VERSION 5

Internal Electrical Wiring Diagram



Field Wiring Details

ALL TERMINALS: Use Copper Conductors Only, 105°C/220°F, Maximum Torque Conductor Mounting: 0.5Nm

Terminal	Function	Ratings
⏚	GROUND	N/A
1	Power Supply Input Common	N/A
2	Power Supply Input 24VAC	24VAC, 3A, 60Hz
1D1	(R1) - DO1 - Fan (G)	24VAC, 300mA
1D2	(R2) - DO2 - Compressor 1 (Y1)	24VAC, 300mA
1D3	(R3) - DO3 - Compressor 2 (Y2)	24VAC, 300mA
1D4	(R4) - DO4 - Rev Valve	24VAC, 300mA
1D5	(R5) - DO5 - Aux Heat	24VAC, 300mA
1A1	AO1 - Preheating / Modulating Heat	0-10VDC, 40mA
1A2	AO2 - Economizer	0-10VDC, 40mA
1X1	Economizer Supply	24VAC, 8.5VA
1A3	AO3 - Bypass / VFD	0-10VDC, 40mA
1X2	Bypass or VFD Supply	24VAC, 5VA
1X3	Static Pressure Sensor Supply	24VAC, 0.03A
119	Static Pressure (0-5/1-5V) (1/1.5/2/2.5 in)	5VDC, 20mA
1X4	CO2 Sensor Supply	24VAC, 6.7VA

Terminal	Function	Ratings
118	External Dry Contact for Alarm / CO2 Sensor (4-20mA)	4-20mA, 1-5VDC
117	External Dry Contact for Proof of Fan	N/A
116	Zone Setpoint Potentiometer (0-10K potentiometer)	N/A
115	Zone Temperature Thermistor (10K Type 3)	N/A
114	Dry Contact for Clogged Filter / Dry Contact for Schedule Override / Supply Water Temp (10K Type 3 thermistor)	N/A
113	Supply Air Temperature Thermistor (10K Type 3)	N/A
112	Return Air Temperature Thermistor (10K Type 3)	N/A
111	Outside Air Temp Sensor (10K therm) / Supply Water Temp Sensor (10K therm)	N/A
+	NC2000 / M2000 RS485 INT A (+)	N/A
-	NC2000 / M2000 RS485 INT B (-)	N/A
A	M2000 RS485 NET A (+)	N/A
B	M2000 RS485 NET B (-)	N/A
X1	NC2000 Ethernet Connection (Use CAT5e Patch Cable)	N/A
C	COMMON	N/A

PROLON

1-877-9PROLON

www.proloncontrols.com

This device complies with Part 15 of the FCC Rules. Operation is subject to the following two conditions: (1) this device may not cause harmful interference, and (2) this device must accept any interference received, including interference that may cause undesired operation.

info@proloncontrols.com