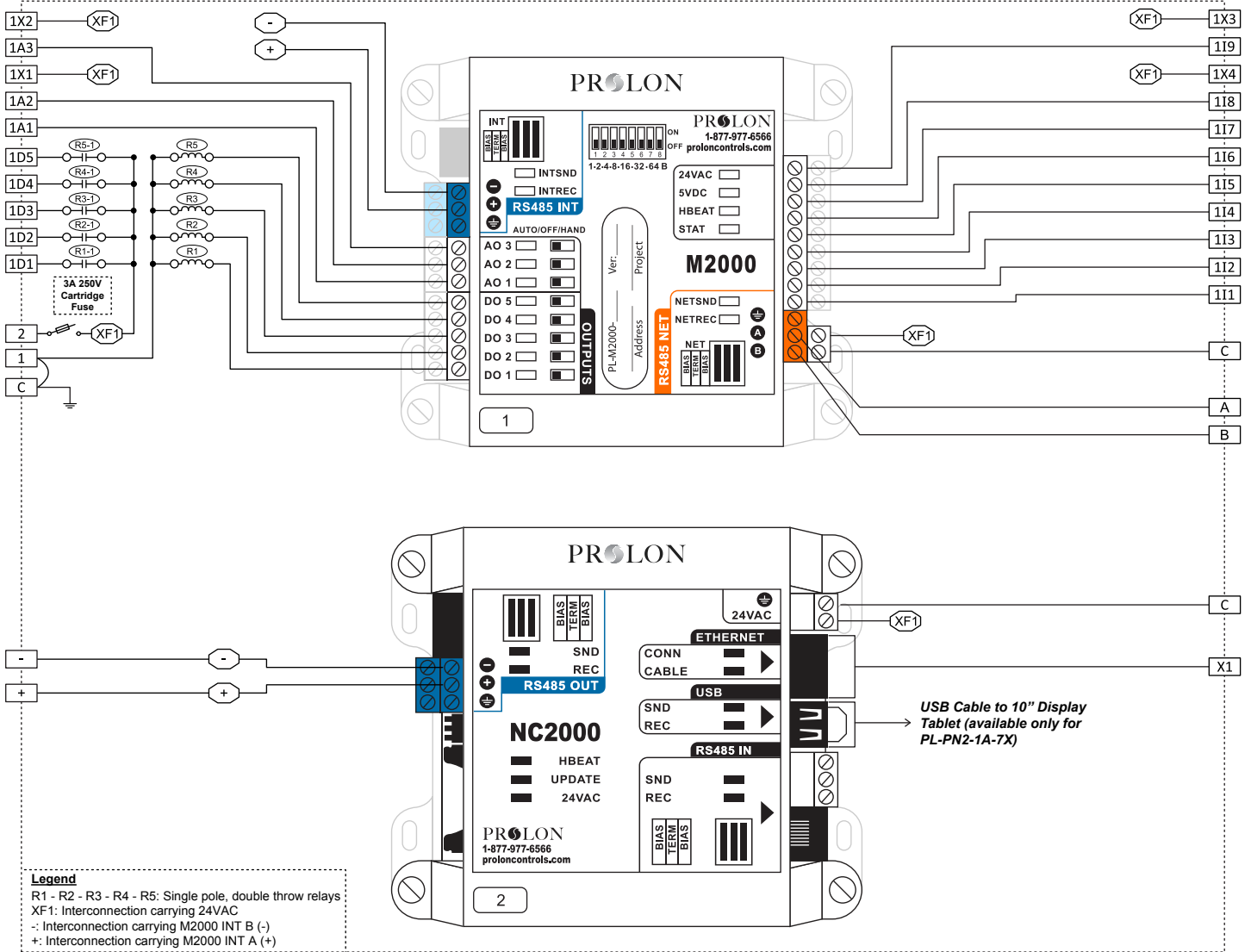


# PL-PN2-1A-7X / PL-PN2-1B-7X

VERSION 1

## Internal Electrical Wiring Diagram



### Field Wiring Details

**ALL TERMINALS:** Use Copper Conductors Only, 105°C/220°F, Maximum Torque Conductor Mounting: 0.5Nm

Terminal	Function	Ratings
⏚	GROUND	N/A
1	Power Supply Input Common	N/A
2	Power Supply Input 24VAC	24VAC, 3A, 60Hz
1D1	(R1) - Digital Output 1	24VAC, 300mA
1D2	(R2) - Digital Output 2	24VAC, 300mA
1D3	(R3) - Digital Output 3	24VAC, 300mA
1D4	(R4) - Digital Output 4	24VAC, 300mA
1D5	(R5) - Digital Output 5	24VAC, 300mA
1A1	Analog Output 1	0-10VDC, 40mA
1A2	Analog Output 2	0-10VDC, 40mA
1X1	Power 24VAC Supply	24VAC, 8.5VA
1A3	Analog Output 3	0-10VDC, 40mA
1X2	Power 24VAC Supply	24VAC, 5VA
1X3	Power 24VAC Supply	24VAC, 0.03A
1I9	Analog Input 9	5VDC, 20mA

Terminal	Function	Ratings
1X4	Power 24VAC Supply	24VAC, 6.7VA
1I8	Analog Input 8	4-20mA, 0-5VDC
1I7	Analog Input 7	5VDC, 20mA
1I6	Analog Input 6	5VDC, 20mA
1I5	Analog Input 5	5VDC, 20mA
1I4	Analog Input 4	5VDC, 20mA
1I3	Analog Input 3	5VDC, 20mA
1I2	Analog Input 2	5VDC, 20mA
1I1	Analog Input 1	5VDC, 20mA
+	NC2000 / M2000 RS485 INT A (+)	N/A
-	NC2000 / M2000 RS485 INT B (-)	N/A
A	M2000 RS485 NET A (+)	N/A
B	M2000 RS485 NET B (-)	N/A
X1	NC2000 Ethernet Connection (Use CAT5e Patch Cable)	N/A
C	COMMON	N/A

**PROLON**

1-877-9PROLON

www.proloncontrols.com

This device complies with Part 15 of the FCC Rules. Operation is subject to the following two conditions: (1) this device may not cause harmful interference, and (2) this device must accept any interference received, including interference that may cause undesired operation.

info@proloncontrols.com