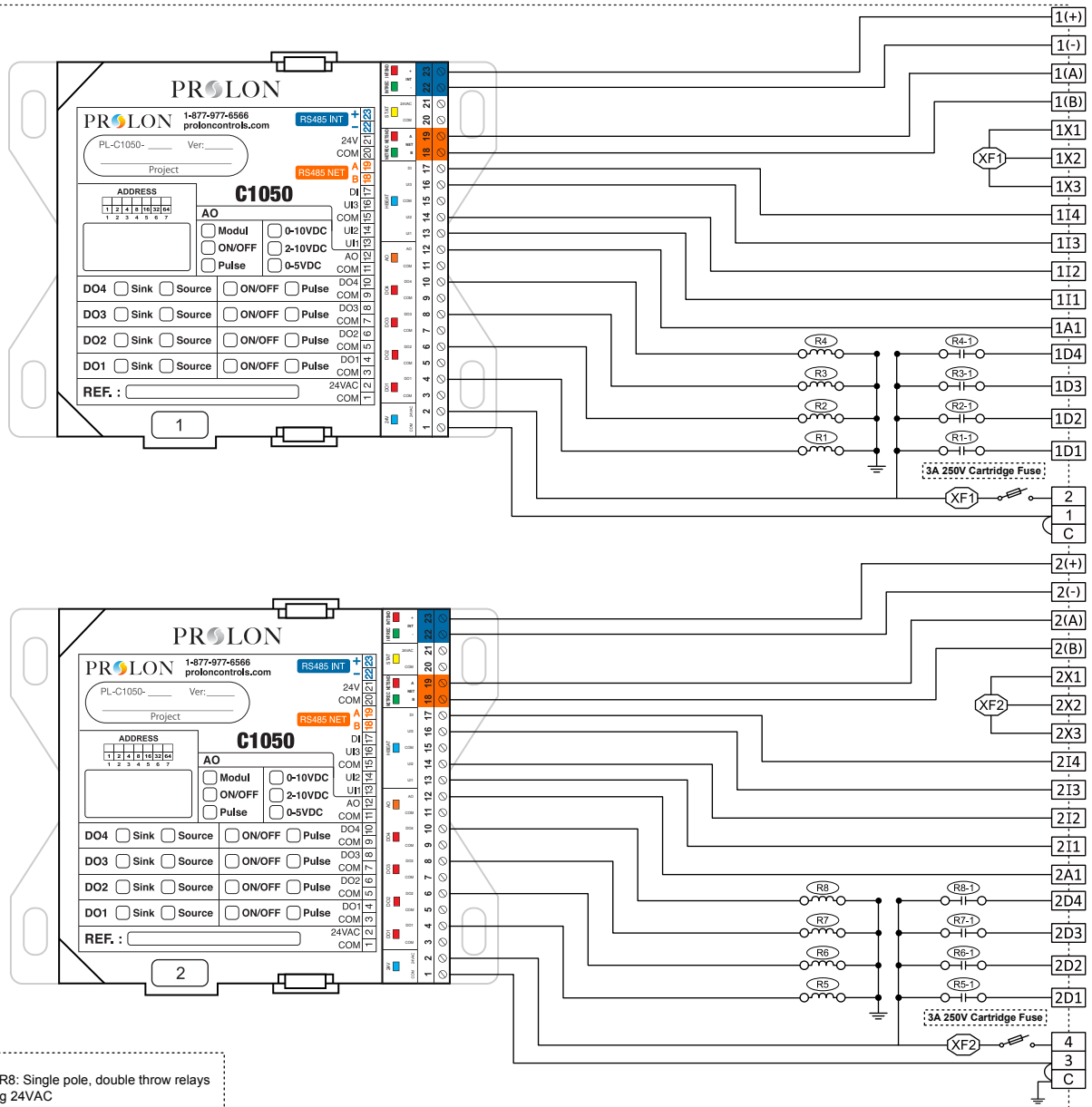


# PL-PN2-4X-4X

## Internal Electrical Wiring Diagram

VERSION 1



**Legend**  
 R1 - R2 - R3 - R4 - R5 - R6 - R7 - R8: Single pole, double throw relays  
 XF1 - XF2: Interconnection carrying 24VAC

### Field Wiring Details

**ALL TERMINALS:** Use Copper Conductors Only, 105°C/220°F, Maximum Torque Conductor Mounting: 0.5Nm

Terminal	Function	Ratings	Terminal	Function	Ratings
	GROUND	N/A	3	Power Supply Input Common	N/A
1	Power Supply Input Common	N/A	4	Supply Input 24VAC (XF2)	24VAC, 3A, 60Hz
2	Supply Input 24VAC (XF1)	24VAC, 3A, 60Hz	2D1	R5 - Digital Output 1	24VAC, 300mA
1D1	R1 - Digital Output 1	24VAC, 300mA	2D2	R6 - Digital Output 2	24VAC, 300mA
1D2	R2 - Digital Output 2	24VAC, 300mA	2D3	R7 - Digital Output 3	24VAC, 300mA
1D3	R3 - Digital Output 3	24VAC, 300mA	2D4	R8 - Digital Output 4	24VAC, 300mA
1D4	R4 - Digital Output 4	24VAC, 300mA	2A1	Analog Output 1	0-10VDC, 40mA
1A1	Analog Output 1	0-10VDC, 40mA	2I1	Universal Input 1	N/A
1I1	Universal Input 1	N/A	2I2	Universal Input 2	N/A
1I2	Universal Input 2	N/A	2I3	Universal Input 3	N/A
1I3	Universal Input 3	N/A	2I4	Digital Input (Dry Contact)	N/A
1I4	Digital Input (Dry Contact)	N/A	2X1	Power Supply 24VAC	24VAC, 3A, 60Hz
1X1	Power Supply 24VAC	24VAC, 3A, 60Hz	2X2	Power Supply 24VAC	24VAC, 3A, 60Hz
1X2	Power Supply 24VAC	24VAC, 3A, 60Hz	2X3	Power Supply 24VAC	24VAC, 3A, 60Hz
1X3	Power Supply 24VAC	24VAC, 3A, 60Hz	2(+)	C1050 RS485 INT (+)	N/A
1(+)	C1050 RS485 INT (+)	N/A	2(-)	C1050 RS485 INT (-)	N/A
1(-)	C1050 RS485 INT (-)	N/A	2(A)	C1050 RS485 NET (A)	N/A
1(A)	C1050 RS485 NET (A)	N/A	2(B)	C1050 RS485 NET (B)	N/A
1(B)	C1050 RS485 NET (B)	N/A	C	COMMON	N/A