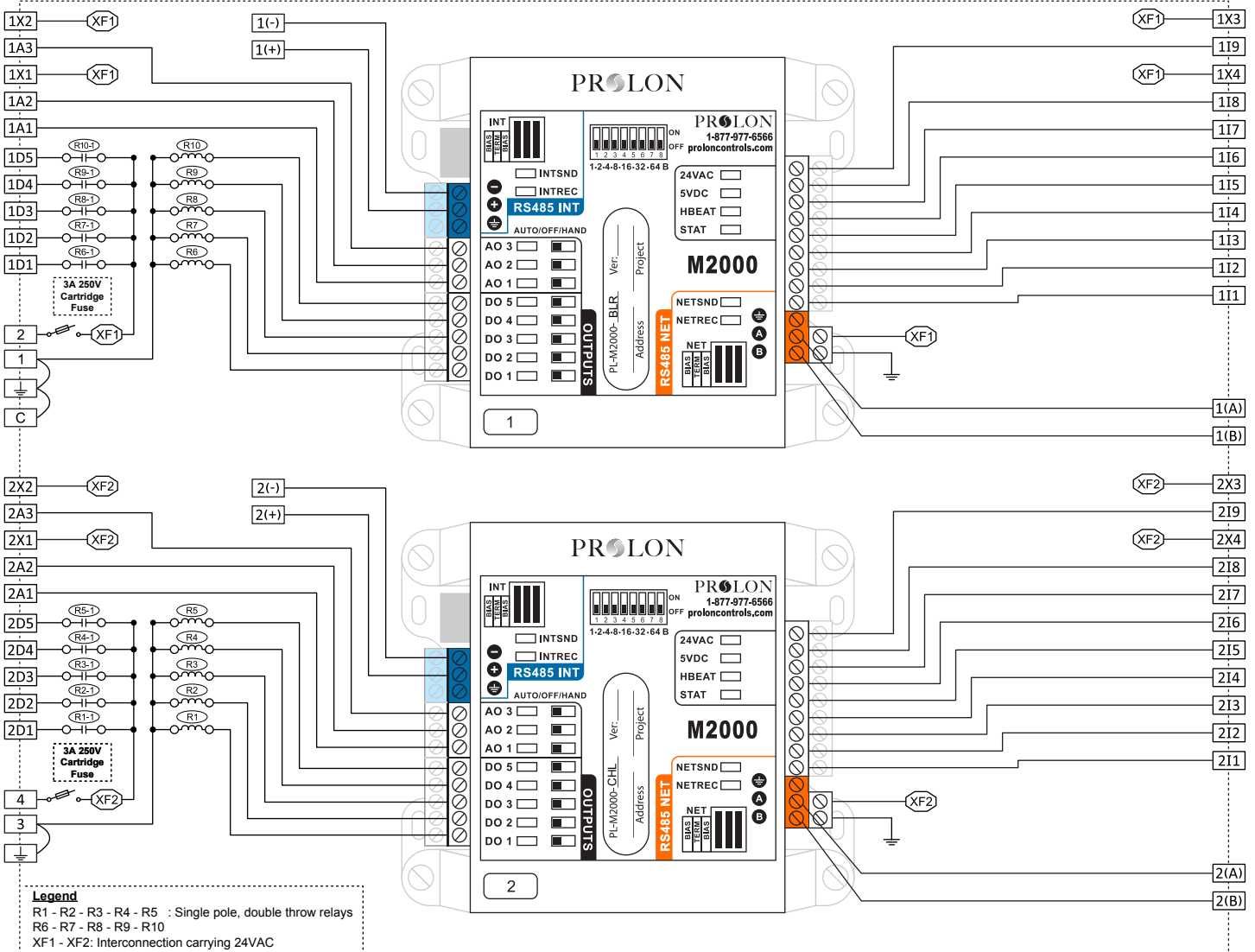


# PL-PN2-7C-7D

VERSION 4

## Internal Electrical Wiring Diagram



## Field Wiring Details

**ALL TERMINALS:** Use Copper Conductors Only, 105°C/220°F, Maximum Torque Conductor Mounting: 0.5Nm

Terminal	Function	Ratings
⏏	GROUND	N/A
1	Supply Input Common	N/A
2	Supply Input 24VAC (XF1)	24VAC, 3A, 60Hz
1D1	(R6) - Boiler Stage 1 Output	24VAC, 300mA
1D2	(R7) - Boiler Stage 2 Output	24VAC, 300mA
1D3	(R8) - Boiler Stage 3 Output	24VAC, 300mA
1D4	(R9) - Boiler Stage 4 Output	24VAC, 300mA
1D5	(R10) - Pump 1 (BLR) Output	24VAC, 300mA
1A1	Pump 2 (BLR) Output	0-10VDC, 40mA
1A2	Modulating Boiler Output	0-10VDC, 40mA
1X1	24VAC Supply	24VAC, 8.5VA
1A3	Valve or Backup Modulating Boiler	0-10VDC, 40mA
1X2	24VAC Supply	24VAC, 5VA
1X3	24VAC Supply	24VAC, 0.03A
119	N/A	N/A
1X4	24VAC Supply	24VAC, 6.7VA
118	N/A	N/A
117	Dry Contact to Disable Boiler Call	N/A
116	Dry Contact for Max Heat Setpoint	N/A
115	Dry Contact for Proof of Pump 2 (BLR)	N/A
114	Dry Contact for Proof of Pump 1 (BLR)	N/A
113	BLR Return Water Temperature Thermistor (10K Type 3)	N/A
112	BLR Supply Water Temperature Thermistor (10K Type 3)	N/A
111	BLR Outside Air Temperature Thermistor (10K Type 3)	N/A
1(+)	M2000 RS485 INT A (+)	N/A
1(-)	M2000 RS485 INT B (-)	N/A
1(A)	M2000 RS485 NET A (+)	N/A
1(B)	M2000 RS485 NET B (-)	N/A

Terminal	Function	Ratings
3	Supply Input Common	N/A
4	Supply Input 24VAC (XF2)	24VAC, 3A, 60Hz
2D1	(R1) - Pump 1 (CHL) Output	24VAC, 300mA
2D2	(R2) - Pump 2 (CHL) Output	24VAC, 300mA
2D3	(R3) - Chiller 1 Output	24VAC, 300mA
2D4	(R4) - Chiller 2 Output	24VAC, 300mA
2D5	(R5) - Chiller 3 Output	24VAC, 300mA
2A1	VFD Pump 1 (CHL) Output	0-10VDC, 40mA
2A2	VFD Pump 2 (CHL) Output	0-10VDC, 40mA
2X1	Power Supply 24VAC	24VAC, 8.5VA
2A3	Chiller 4 Output	0-10VDC, 40mA
2X2	Power Supply 24VAC	24VAC, 5VA
2X3	Power Supply 24VAC	24VAC, 0.03A
219	Alarm (Dry Contact)	N/A
2X4	Power Supply 24VAC	24VAC, 6.7VA
218	Water Pressure	5VDC, 20mA
217	Condenser Water Temp Leaving	N/A
216	Condenser Water Temp Entering	N/A
215	Dry Contact for Proof of Pump 1 (CHL)	N/A
214	Dry Contact for Proof of Pump 2 (CHL)	N/A
213	CHL Return Water Temp Thermistor (10K Type 3)	N/A
212	CHL Supply Water Temp Thermistor (10K Type 3)	N/A
211	CHL Outside Water Temp Thermistor (10K Type 3)	N/A
2(+)	M2000 RS485 INT A (+)	N/A
2(-)	M2000 RS485 INT B (-)	N/A
2(A)	M2000 RS485 NET A (+)	N/A
2(B)	M2000 RS485 NET B (-)	N/A
C	COMMON	N/A

**PROLON**

1-877-9PROLON

www.proloncontrols.com

This device complies with Part 15 of the FCC Rules. Operation is subject to the following two conditions: (1) this device may not cause harmful interference, and (2) this device must accept any interference received, including interference that may cause undesired operation.

info@proloncontrols.com