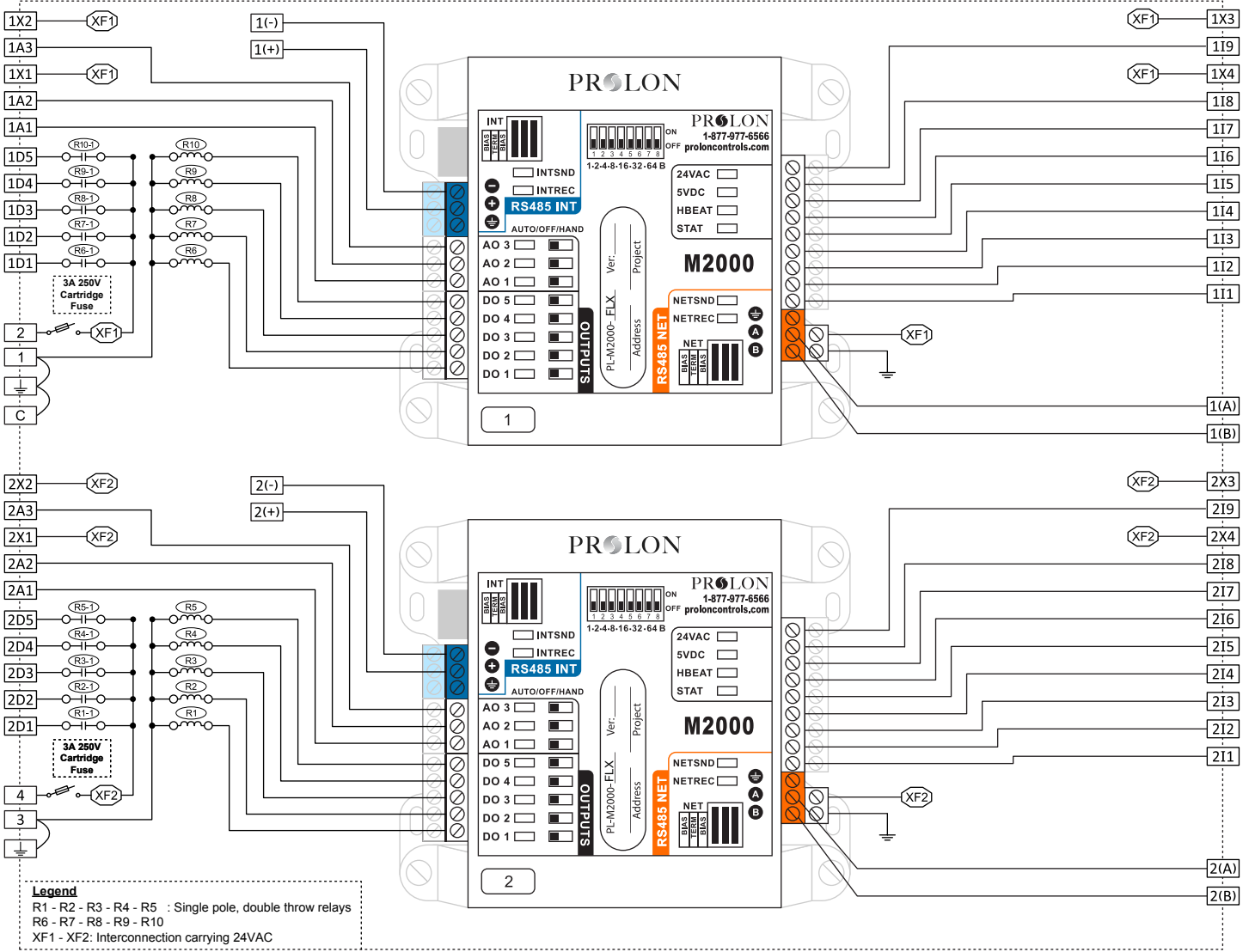


PL-PN2-7F-7F

VERSION 4

Internal Electrical Wiring Diagram



Field Wiring Details

ALL TERMINALS: Use Copper Conductors Only, 105°C/220°F, Maximum Torque Conductor Mounting: 0.5Nm

Terminal	Function	Ratings
⏏	GROUND	N/A
1	Supply Input Common	N/A
2	Supply Input 24VAC (XF1)	24VAC, 3A, 60Hz
1D1	(R6) - Digital Output 1	24VAC, 300mA
1D2	(R7) - Digital Output 2	24VAC, 300mA
1D3	(R8) - Digital Output 3	24VAC, 300mA
1D4	(R9) - Digital Output 4	24VAC, 300mA
1D5	(R10) - Digital Output 5	24VAC, 300mA
1A1	Analog Output 1	0-10VDC, 40mA
1A2	Analog Output 2	0-10VDC, 40mA
1X1	Power Supply 24VAC	24VAC, 8.5VA
1A3	Analog Output 3	0-10VDC, 40mA
1X2	Power Supply 24VAC	24VAC, 5VA
1X3	Power Supply 24VAC	24VAC, 0.03A
1I9	Analog Input 9	5VDC, 20mA
1X4	Power Supply 24VAC	24VAC, 6.7VA
1I8	Analog Input 8	5VDC, 20mA
1I7	Analog Input 7	5VDC, 20mA
1I6	Analog Input 6	5VDC, 20mA
1I5	Analog Input 5	5VDC, 20mA
1I4	Analog Input 4	5VDC, 20mA
1I3	Analog Input 3	5VDC, 20mA
1I2	Analog Input 2	5VDC, 20mA
1I1	Analog Input 1	5VDC, 20mA
1(+)	M2000 RS485 INT A (+)	N/A
1(-)	M2000 RS485 INT B (-)	N/A
1(A)	M2000 RS485 NET A (+)	N/A
1(B)	M2000 RS485 NET B (-)	N/A

Terminal	Function	Ratings
3	Supply Input Common	N/A
4	Supply Input 24VAC (XF2)	24VAC, 3A, 60Hz
2D1	(R1) - Digital Output 1	24VAC, 300mA
2D2	(R2) - Digital Output 2	24VAC, 300mA
2D3	(R3) - Digital Output 3	24VAC, 300mA
2D4	(R4) - Digital Output 4	24VAC, 300mA
2D5	(R5) - Digital Output 5	24VAC, 300mA
2A1	Analog Output 1	0-10VDC, 40mA
2A2	Analog Output 2	0-10VDC, 40mA
2X1	Power Supply 24VAC	24VAC, 8.5VA
2A3	Analog Output 3	0-10VDC, 40mA
2X2	Power Supply 24VAC	24VAC, 5VA
2X3	Power Supply 24VAC	24VAC, 0.03A
2I9	Analog Input 9	5VDC, 20mA
2X4	Power Supply 24VAC	24VAC, 6.7VA
2I8	Analog Input 8	5VDC, 20mA
2I7	Analog Input 7	5VDC, 20mA
2I6	Analog Input 6	5VDC, 20mA
2I5	Analog Input 5	5VDC, 20mA
2I4	Analog Input 4	5VDC, 20mA
2I3	Analog Input 3	5VDC, 20mA
2I2	Analog Input 2	5VDC, 20mA
2I1	Analog Input 1	5VDC, 20mA
2(+)	M2000 RS485 INT A (+)	N/A
2(-)	M2000 RS485 INT B (-)	N/A
2(A)	M2000 RS485 NET A (+)	N/A
2(B)	M2000 RS485 NET B (-)	N/A
C	COMMON	N/A

PROLON

1-877-9PROLON

www.proloncontrols.com

This device complies with Part 15 of the FCC Rules. Operation is subject to the following two conditions: (1) this device may not cause harmful interference, and (2) this device must accept any interference received, including interference that may cause undesired operation.

info@proloncontrols.com