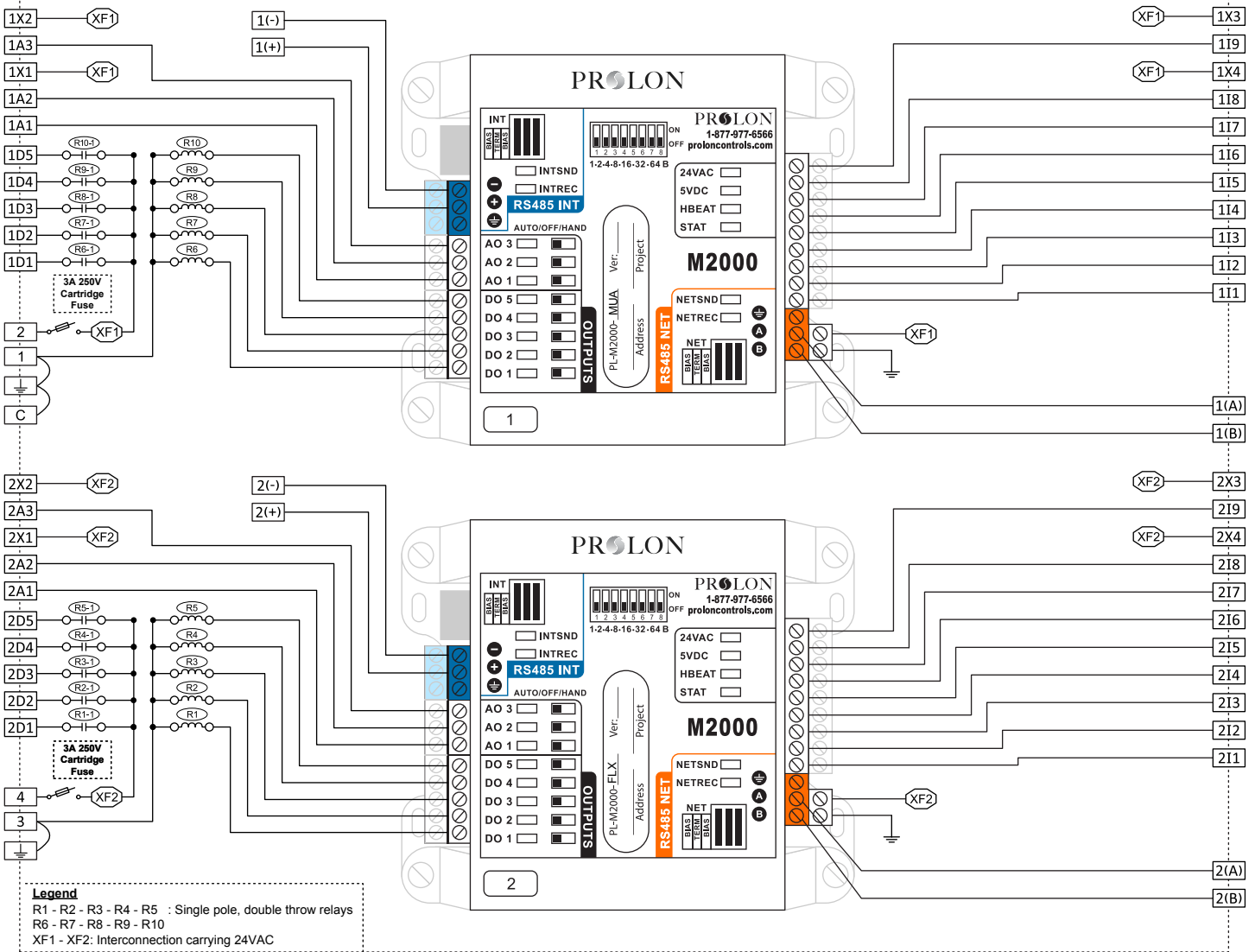


# PL-PN2-7F-7K

VERSION 4

## Internal Electrical Wiring Diagram



## Field Wiring Details

**ALL TERMINALS:** Use Copper Conductors Only, 105°C/220°F, Maximum Torque Conductor Mounting: 0.5Nm

| Terminal | Function                                    | Ratings         |
|----------|---|-----------------|
| ⏏        | GROUND                                      | N/A             |
| 1        | Supply Input Common                         | N/A             |
| 2        | Supply Input 24VAC (XF1)                    | 24VAC, 3A, 60Hz |
| 1D1      | (R6) - Occupancy Output                     | 24VAC, 300mA    |
| 1D2      | (R7) - Outside Air Damper Output            | 24VAC, 300mA    |
| 1D3      | (R8) - Fan Output                           | 24VAC, 300mA    |
| 1D4      | (R9) - Preheat Permission Output            | 24VAC, 300mA    |
| 1D5      | (R10) - Alarm Output                        | 24VAC, 300mA    |
| 1A1      | Modulating Heat Output                      | 0-10VDC, 40mA   |
| 1A2      | Cooling Output                              | 0-10VDC, 40mA   |
| 1X1      | 24VAC Supply                                | 24VAC, 8.5VA    |
| 1A3      | VFD Output                                  | 0-10VDC, 40mA   |
| 1X2      | VFD Supply                                  | 24VAC, 5VA      |
| 1X3      | Stactic Pressure Sensor Supply              | 24VAC, 0.03A    |
| 119      | CO2 / Building Pressure                     | 0-5VDC, 20mA    |
| 1X4      | CO2 Sensor Supply                           | 24VAC, 6.7VA    |
| 118      | Zone Temperature                            | N/A             |
| 117      | Outside Temperature                         | N/A             |
| 116      | Supply Temperature                          | N/A             |
| 115      | Dry Contact for Manual Reset                | N/A             |
| 114      | Dry Contact for Proof of Fan                | N/A             |
| 113      | Dry Contact for Outside Air Damper          | N/A             |
| 112      | Dry Contact for Exhaust 2 / Manual Override | N/A             |
| 111      | Dry Contact for Exhaust 1                   | N/A             |
| 1(+)     | M2000 RS485 INT A (+)                       | N/A             |
| 1(-)     | M2000 RS485 INT B (-)                       | N/A             |
| 1(A)     | M2000 RS485 NET A (+)                       | N/A             |
| 1(B)     | M2000 RS485 NET B (-)                       | N/A             |

| Terminal | Function                 | Ratings         |
|----------|--------------------------|-----------------|
| 3        | Supply Input Common      | N/A             |
| 4        | Supply Input 24VAC (XF2) | 24VAC, 3A, 60Hz |
| 2D1      | (R1) - Digital Output 1  | 24VAC, 300mA    |
| 2D2      | (R2) - Digital Output 2  | 24VAC, 300mA    |
| 2D3      | (R3) - Digital Output 3  | 24VAC, 300mA    |
| 2D4      | (R4) - Digital Output 4  | 24VAC, 300mA    |
| 2D5      | (R5) - Digital Output 5  | 24VAC, 300mA    |
| 2A1      | Analog Output 1          | 0-10VDC, 40mA   |
| 2A2      | Analog Output 2          | 0-10VDC, 40mA   |
| 2X1      | Power Supply 24VAC       | 24VAC, 8.5VA    |
| 2A3      | Analog Output 3          | 0-10VDC, 40mA   |
| 2X2      | Power Supply 24VAC       | 24VAC, 5VA      |
| 2X3      | Power Supply 24VAC       | 24VAC, 0.03A    |
| 219      | Analog Input 9           | 5VDC, 20mA      |
| 2X4      | Power Supply 24VAC       | 24VAC, 6.7VA    |
| 218      | Analog Input 8           | 5VDC, 20mA      |
| 217      | Analog Input 7           | 5VDC, 20mA      |
| 216      | Analog Input 6           | 5VDC, 20mA      |
| 215      | Analog Input 5           | 5VDC, 20mA      |
| 214      | Analog Input 4           | 5VDC, 20mA      |
| 213      | Analog Input 3           | 5VDC, 20mA      |
| 212      | Analog Input 2           | 5VDC, 20mA      |
| 211      | Analog Input 1           | 5VDC, 20mA      |
| 2(+)     | M2000 RS485 INT A (+)    | N/A             |
| 2(-)     | M2000 RS485 INT B (-)    | N/A             |
| 2(A)     | M2000 RS485 NET A (+)    | N/A             |
| 2(B)     | M2000 RS485 NET B (-)    | N/A             |
| C        | COMMON                   | N/A             |

**PROLON**

1-877-9PROLON

www.proloncontrols.com

This device complies with Part 15 of the FCC Rules. Operation is subject to the following two conditions: (1) this device may not cause harmful interference, and (2) this device must accept any interference received, including interference that may cause undesired operation.

info@proloncontrols.com