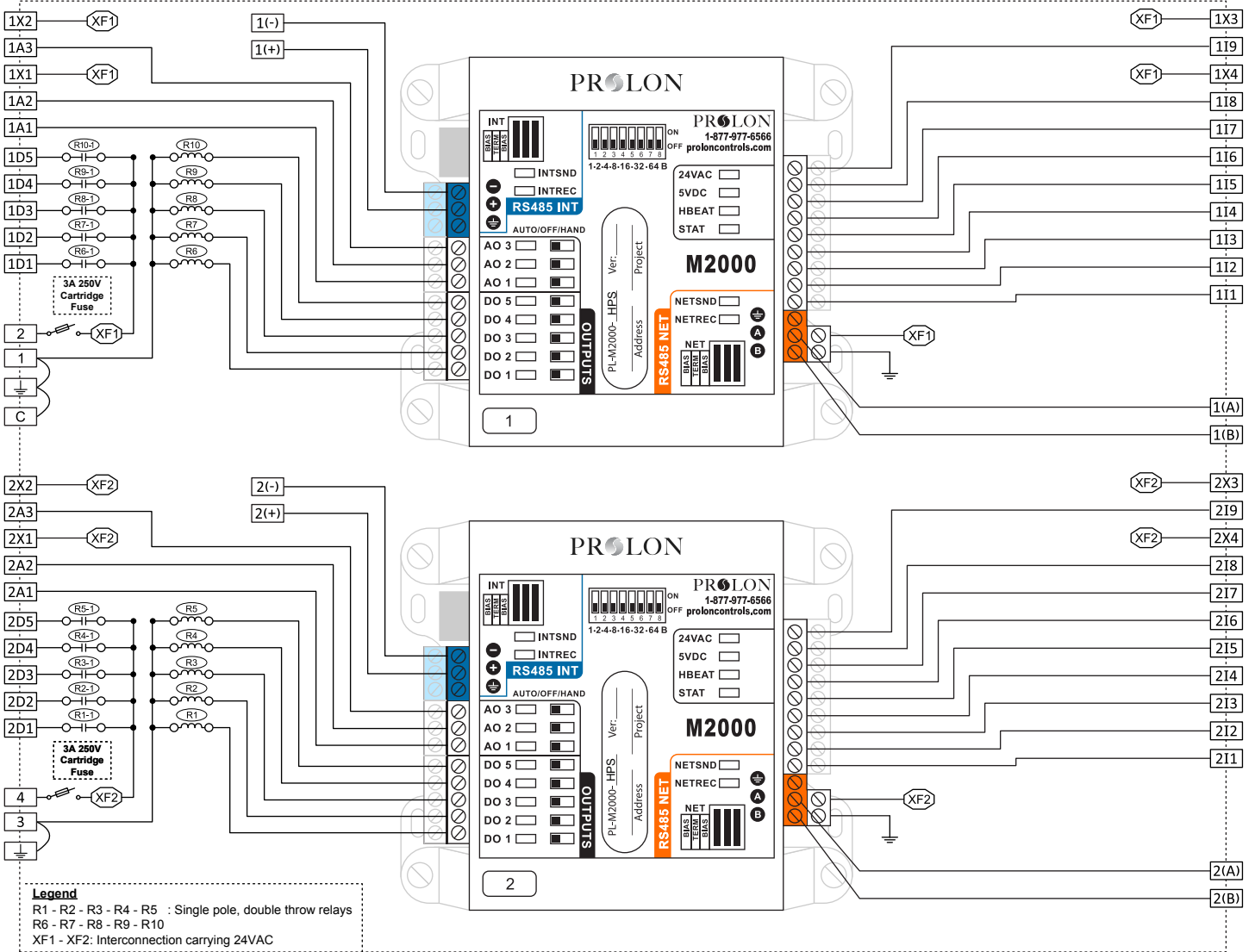


# PL-PN2-7H-7H

VERSION 4

## Internal Electrical Wiring Diagram



## Field Wiring Details

**ALL TERMINALS:** Use Copper Conductors Only, 105°C/220°F, Maximum Torque Conductor Mounting: 0.5Nm

Terminal	Function	Ratings	Terminal	Function	Ratings
⏏	GROUND	N/A	3	Supply Input Common	N/A
1	Supply Input Common	N/A	4	Supply Input 24VAC (XF2)	24VAC, 3A, 60Hz
2	Supply Input 24VAC (XF1)	24VAC, 3A, 60Hz	2D1	(R1) - DO1 - Fan (G)	24VAC, 300mA
1D1	(R6) - DO1 - Fan (G)	24VAC, 300mA	2D2	(R2) - DO2 - Compressor 1 (Y1)	24VAC, 300mA
1D2	(R7) - DO2 - Compressor 1 (Y1)	24VAC, 300mA	2D3	(R3) - DO3 - Compressor 2 (Y2)	24VAC, 300mA
1D3	(R8) - DO3 - Compressor 2 (Y2)	24VAC, 300mA	2D4	(R4) - DO4 - Rev Valve	24VAC, 300mA
1D4	(R9) - DO4 - Rev Valve	24VAC, 300mA	2D5	(R5) - DO5 - Aux Heat	24VAC, 300mA
1D5	(R10) - DO5 - Aux Heat	24VAC, 300mA	2A1	AO1 - Preheating / Modulating Heat	0-10VDC, 40mA
1A1	AO1 - Preheating / Modulating Heat	0-10VDC, 40mA	2A2	AO2 - Economizer	0-10VDC, 40mA
1A2	AO2 - Economizer	0-10VDC, 40mA	2X1	Economizer Supply	24VAC, 8.5VA
1X1	Economizer Supply	24VAC, 8.5VA	2A3	AO3 - Bypass / VFD	0-10VDC, 40mA
1A3	AO3 - Bypass / VFD	0-10VDC, 40mA	2X2	Bypass or VFD Supply	24VAC, 5VA
1X2	Bypass or VFD Supply	24VAC, 5VA	2X3	Static Pressure Sensor Supply	24VAC, 0.03A
1X3	Static Pressure Sensor Supply	24VAC, 0.03A	2I9	Static Pressure (0-5/1-5V) (1/1.5/2/2.5 in)	5VDC, 20mA
1I9	Static Pressure (0-5/1-5V) (1/1.5/2/2.5 in)	5VDC, 20mA	2X4	CO2 Sensor Supply	24VAC, 6.7VA
1X4	CO2 Sensor Supply	24VAC, 6.7VA	2I8	External Dry Contact for Alarm / CO2 Sensor (4-20mA)	4-20mA, 1-5VDC
1I8	External Dry Contact for Alarm / CO2 Sensor (4-20mA)	4-20mA, 1-5VDC	2I7	External Dry Contact for Proof of Fan	N/A
1I7	External Dry Contact for Proof of Fan	N/A	2I6	Zone Setpoint Potentiometer (0-10K potentiometer)	N/A
1I6	Zone Setpoint Potentiometer (0-10K potentiometer)	N/A	2I5	Zone Temperature Thermistor (10K Type 3)	N/A
1I5	Zone Temperature Thermistor (10K Type 3)	N/A	2I4	Dry Contact / Supply Water Temp (10K Type 3 thermistor)	N/A
1I4	Dry Contact / Supply Water Temp (10K Type 3 thermistor)	N/A	2I3	Supply Air Temperature Thermistor (10K Type 3)	N/A
1I3	Supply Air Temperature Thermistor (10K Type 3)	N/A	2I2	Return Air Temperature Thermistor (10K Type 3)	N/A
1I2	Return Air Temperature Thermistor (10K Type 3)	N/A	2I1	Outside Air (10K therm) /Supply Water (10K therm)	N/A
1I1	Outside Air (10K therm) /Supply Water (10K therm)	N/A	2(+)	M2000 RS485 INT A (+)	N/A
1(+)	M2000 RS485 INT A (+)	N/A	2(-)	M2000 RS485 INT B (-)	N/A
1(-)	M2000 RS485 INT B (-)	N/A	2(A)	M2000 RS485 NET A (+)	N/A
1(A)	M2000 RS485 NET A (+)	N/A	2(B)	M2000 RS485 NET B (-)	N/A
1(B)	M2000 RS485 NET B (-)	N/A	C	COMMON	N/A

**PROLON**

1-877-9PROLON

www.proloncontrols.com

This device complies with Part 15 of the FCC Rules. Operation is subject to the following two conditions: (1) this device may not cause harmful interference, and (2) this device must accept any interference received, including interference that may cause undesired operation.

info@proloncontrols.com