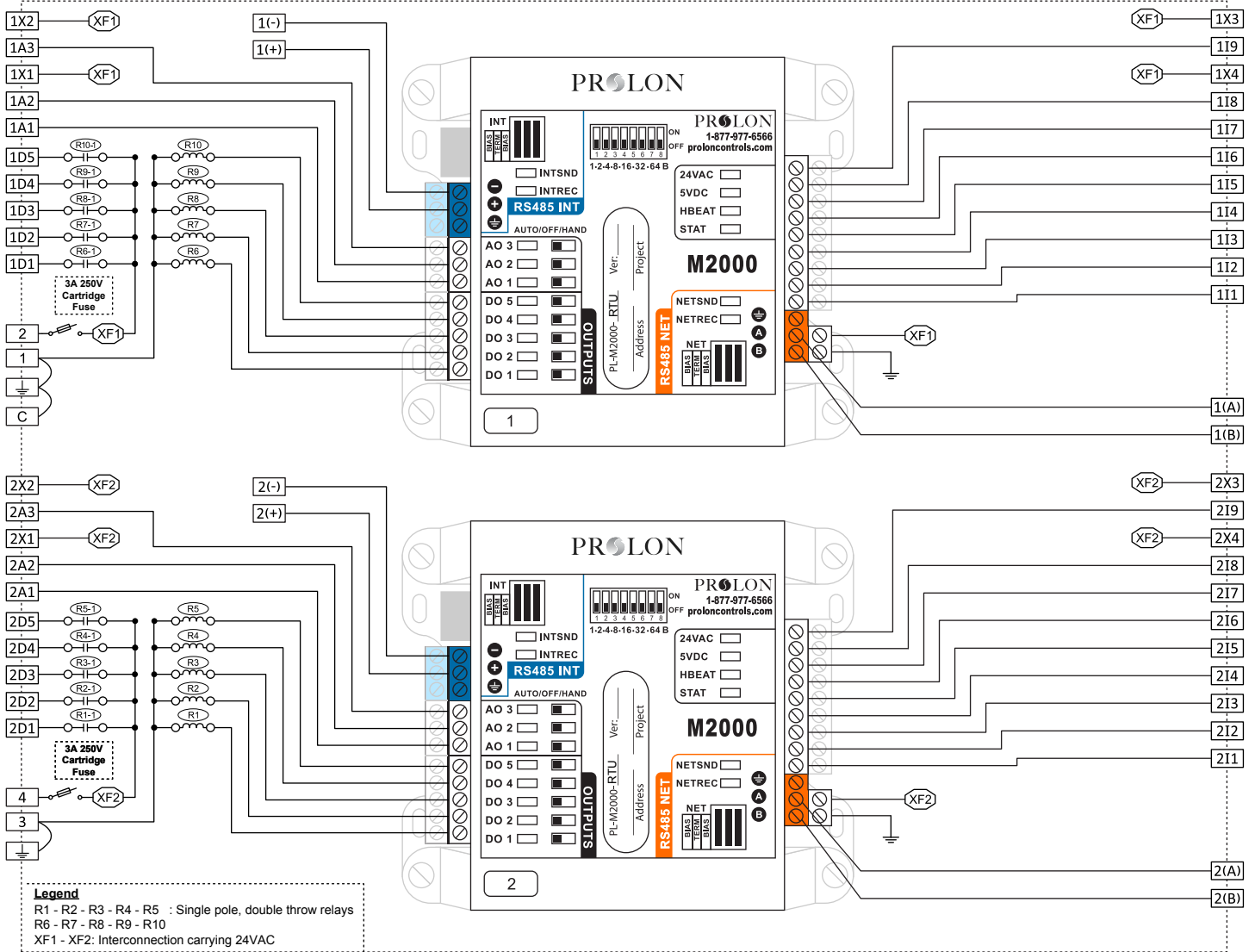


PL-PN2-7M-7M

VERSION 4

Internal Electrical Wiring Diagram



Field Wiring Details

ALL TERMINALS: Use Copper Conductors Only, 105°C/220°F, Maximum Torque Conductor Mounting: 0.5Nm

Terminal	Function	Ratings
⏏	GROUND	N/A
1	Supply Input Common	N/A
2	Supply Input 24VAC (XF1)	24VAC, 3A, 60Hz
1D1	(R6) - Fan Output (G)	24VAC, 300mA
1D2	(R7) - Cooling Output 1 (Y1)	24VAC, 300mA
1D3	(R8) - Cooling Output 2 (Y2)	24VAC, 300mA
1D4	(R9) - Heating Output 1 (W1)	24VAC, 300mA
1D5	(R10) - Heating Output 2 (W2) or Exhaust Fan	24VAC, 300mA
1A1	Modulating Heating Output	0-10VDC, 40mA
1A2	Economizer Controller Output	0-10VDC, 40mA
1X1	Economizer Supply	24VAC, 8.5VA
1A3	Bypass or VFD Control Output	0-10VDC, 40mA
1X2	Bypass or VFD Supply	24VAC, 5VA
1X3	Static Pressure Sensor Supply	24VAC, 0.03A
1I9	Static Pressure Sensor / Input Signal	0-5VDC, 5uA
1X4	CO2 Sensor Supply	24VAC, 6.7VA
1I8	CO2 Sensor Input Signal	4-20mA, 1-5VDC
1I7	Dry Contact for Proof of Fan	N/A
1I6	Zone Setpoint Potentiometer (0-9K)	N/A
1I5	Zone Temperature Thermistor (10K Type 3)	N/A
1I4	Variable Function Temperature Sensor	N/A
1I3	Supply Air Temperature Thermistor (10K Type 3)	N/A
1I2	Return Air Temperature Thermistor (10K Type 3)	N/A
1I1	Outside Air Temperature Thermistor (10K Type 3)	N/A
1(+)	M2000 RS485 INT A (+)	N/A
1(-)	M2000 RS485 INT B (-)	N/A
1(A)	M2000 RS485 NET A (+)	N/A
1(B)	M2000 RS485 NET B (-)	N/A

Terminal	Function	Ratings
3	Supply Input Common	N/A
4	Supply Input 24VAC (XF2)	24VAC, 3A, 60Hz
2D1	(R1) - Fan Output (G)	24VAC, 300mA
2D2	(R2) - Cooling Output 1 (Y1)	24VAC, 300mA
2D3	(R3) - Cooling Output 2 (Y2)	24VAC, 300mA
2D4	(R4) - Heating Output 1 (W1)	24VAC, 300mA
2D5	(R5) - Heating Output 2 (W2) or Exhaust Fan	24VAC, 300mA
2A1	Modulating Heating Output	0-10VDC, 40mA
2A2	Economizer Controller Output	0-10VDC, 40mA
2X1	Economizer Supply	24VAC, 8.5VA
2A3	Bypass or VFD Control Output	0-10VDC, 40mA
2X2	Bypass or VFD Supply	24VAC, 5VA
2X3	Static Pressure Sensor Supply	24VAC, 0.03A
2I9	Static Pressure Sensor / Input Signal	0-5VDC, 5uA
2X4	CO2 Sensor Supply	24VAC, 6.7VA
2I8	CO2 Sensor Input Signal	4-20mA, 1-5VDC
2I7	Dry Contact for Proof of Fan	N/A
2I6	Zone Setpoint Potentiometer (0-9K)	N/A
2I5	Zone Temperature Thermistor (10K Type 3)	N/A
2I4	Variable Function Temperature Sensor	N/A
2I3	Supply Air Temperature Thermistor (10K Type 3)	N/A
2I2	Return Air Temperature Thermistor (10K Type 3)	N/A
2I1	Outside Air Temperature Thermistor (10K Type 3)	N/A
2(+)	M2000 RS485 INT A (+)	N/A
2(-)	M2000 RS485 INT B (-)	N/A
2(A)	M2000 RS485 NET A (+)	N/A
2(B)	M2000 RS485 NET B (-)	N/A
C	COMMON	N/A

PROLON

1-877-9PROLON

www.proloncontrols.com

This device complies with Part 15 of the FCC Rules. Operation is subject to the following two conditions: (1) this device may not cause harmful interference, and (2) this device must accept any interference received, including interference that may cause undesired operation.

info@proloncontrols.com