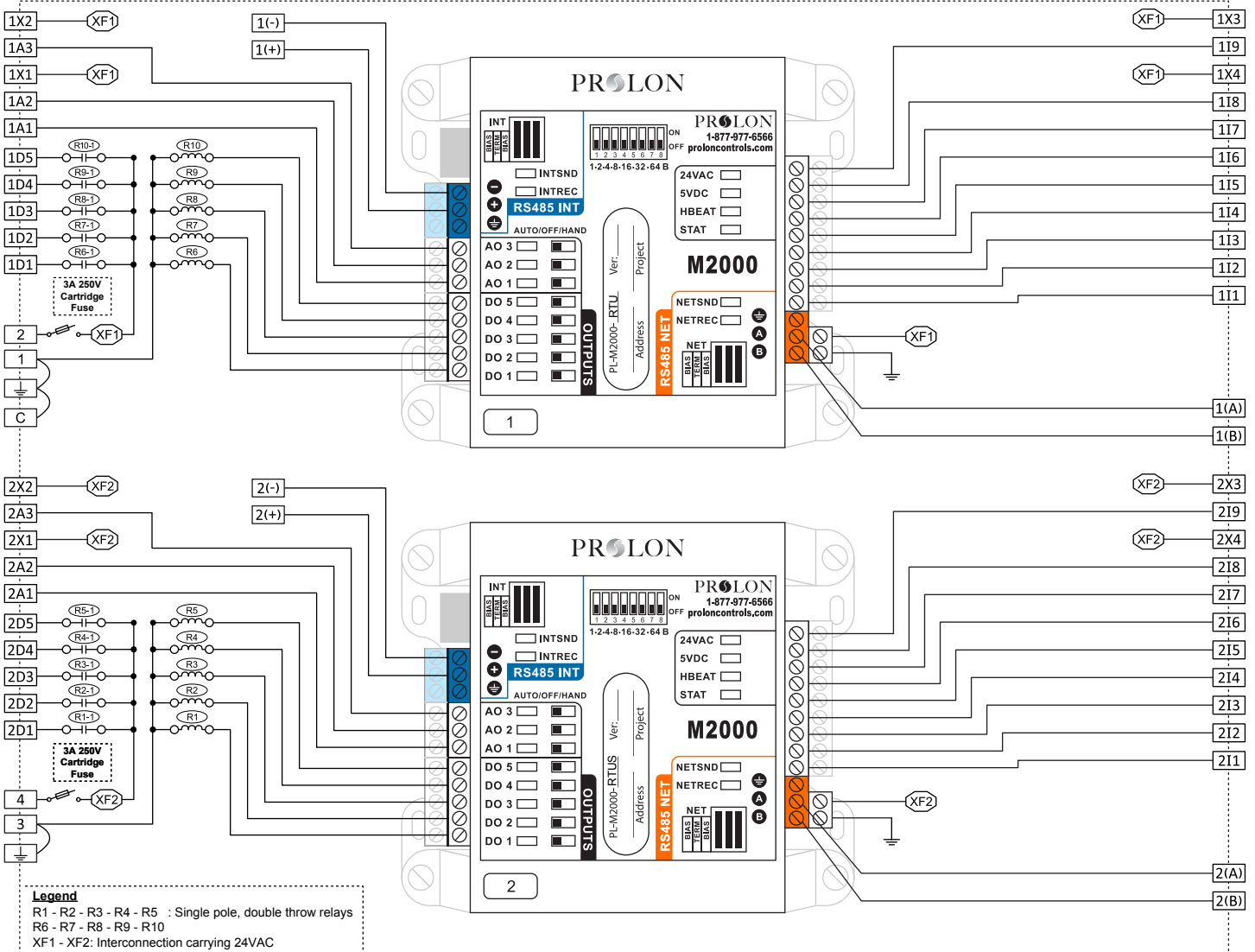


# PL-PN2-7M-7N

VERSION 4

## Internal Electrical Wiring Diagram



## Field Wiring Details

**ALL TERMINALS:** Use Copper Conductors Only, 105°C/220°F, Maximum Torque Conductor Mounting: 0.5Nm

Terminal	Function	Ratings	Terminal	Function	Ratings
⏏	GROUND	N/A	3	Supply Input Common	N/A
1	Supply Input Common	N/A	4	Supply Input 24VAC (XF2)	24VAC, 3A, 60Hz
2	Supply Input 24VAC (XF1)	24VAC, 3A, 60Hz	2D1	(R1) - Fan Output (G)	24VAC, 300mA
1D1	(R6) - Fan Output (G)	24VAC, 300mA	2D2	(R2) - Cooling Output 1 (Y1)	24VAC, 300mA
1D2	(R7) - Cooling Output 1 (Y1)	24VAC, 300mA	2D3	(R3) - Cooling Output 2 (Y2)	24VAC, 300mA
1D3	(R8) - Cooling Output 2 (Y2)	24VAC, 300mA	2D4	(R4) - Heating Output 1 (W1)	24VAC, 300mA
1D4	(R9) - Heating Output 1 (W1)	24VAC, 300mA	2D5	(R5) - Heating Output 2 (W2) or Exhaust Fan	24VAC, 300mA
1D5	(R10) - Heating Output 2 (W2) or Exhaust Fan	24VAC, 300mA	2A1	Modulating Heating Output	0-10VDC, 40mA
1A1	Modulating Heating Output	0-10VDC, 40mA	2A2	Economizer Controller Output	0-10VDC, 40mA
1A2	Economizer Controller Output	0-10VDC, 40mA	2X1	Economizer Supply	24VAC, 8.5VA
1X1	Economizer Supply	24VAC, 8.5VA	2A3	Bypass or VFD Control Output	0-10VDC, 40mA
1A3	Bypass or VFD Control Output	0-10VDC, 40mA	2X2	Bypass or VFD Supply	24VAC, 5VA
1X2	Bypass or VFD Supply	24VAC, 5VA	2X3	Static Pressure Sensor Supply	24VAC, 0.03A
1X3	Static Pressure Sensor Supply	24VAC, 0.03A	2I9	Static Pressure Sensor / Input Signal	0-5VDC, 5uA
1I9	Static Pressure Sensor / Input Signal	0-5VDC, 5uA	2X4	CO2 Sensor Supply	24VAC, 6.7VA
1X4	CO2 Sensor Supply	24VAC, 6.7VA	2I8	CO2 Sensor Input Signal	4-20mA, 1-5VDC
1I8	CO2 Sensor Input Signal	4-20mA, 1-5VDC	2I7	Dry Contact for Proof of Fan	N/A
1I7	Dry Contact for Proof of Fan	N/A	2I6	Zone Setpoint Potentiometer (0-9K)	N/A
1I6	Zone Setpoint Potentiometer (0-9K)	N/A	2I5	Zone Temperature Thermistor (10K Type 3)	N/A
1I5	Zone Temperature Thermistor (10K Type 3)	N/A	2I4	Variable Function Temperature Sensor	N/A
1I4	Variable Function Temperature Sensor	N/A	2I3	Supply Air Temperature Thermistor (10K Type 3)	N/A
1I3	Supply Air Temperature Thermistor (10K Type 3)	N/A	2I2	Return Air Temperature Thermistor (10K Type 3)	N/A
1I2	Return Air Temperature Thermistor (10K Type 3)	N/A	2I1	Outside Air Temperature Thermistor (10K Type 3)	N/A
1I1	Outside Air Temperature Thermistor (10K Type 3)	N/A	2(+)	M2000 RS485 INT A (+)	N/A
1(+)	M2000 RS485 INT A (+)	N/A	2(-)	M2000 RS485 INT B (-)	N/A
1(-)	M2000 RS485 INT B (-)	N/A	2(A)	M2000 RS485 NET A (+)	N/A
1(A)	M2000 RS485 NET A (+)	N/A	2(B)	M2000 RS485 NET B (-)	N/A
1(B)	M2000 RS485 NET B (-)	N/A	C	COMMON	N/A

**PROLON**

1-877-9PROLON

www.proloncontrols.com

This device complies with Part 15 of the FCC Rules. Operation is subject to the following two conditions: (1) this device may not cause harmful interference, and (2) this device must accept any interference received, including interference that may cause undesired operation.

info@proloncontrols.com