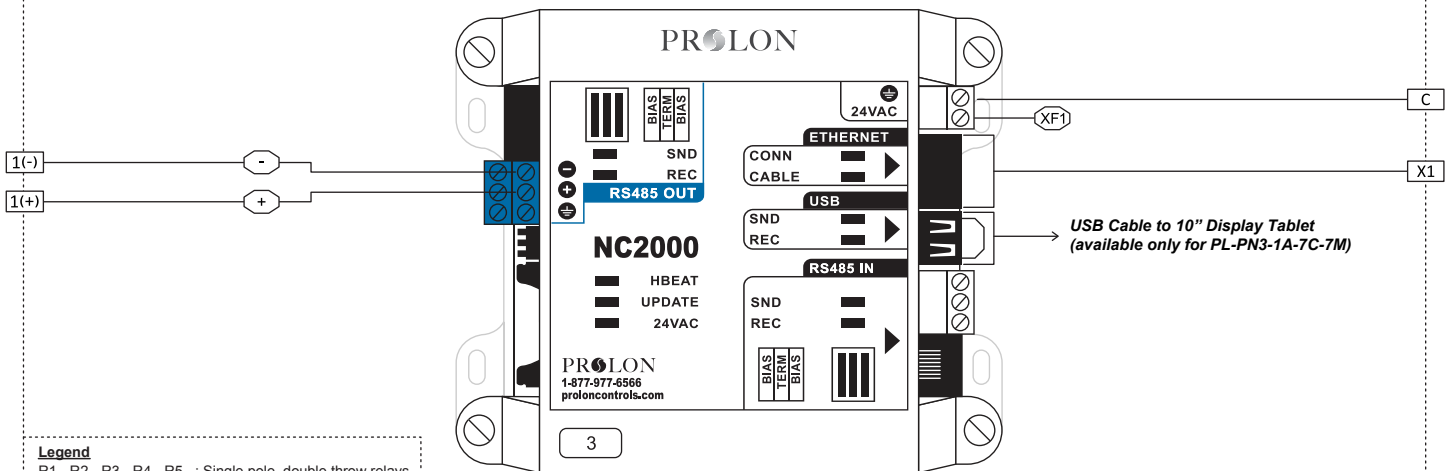
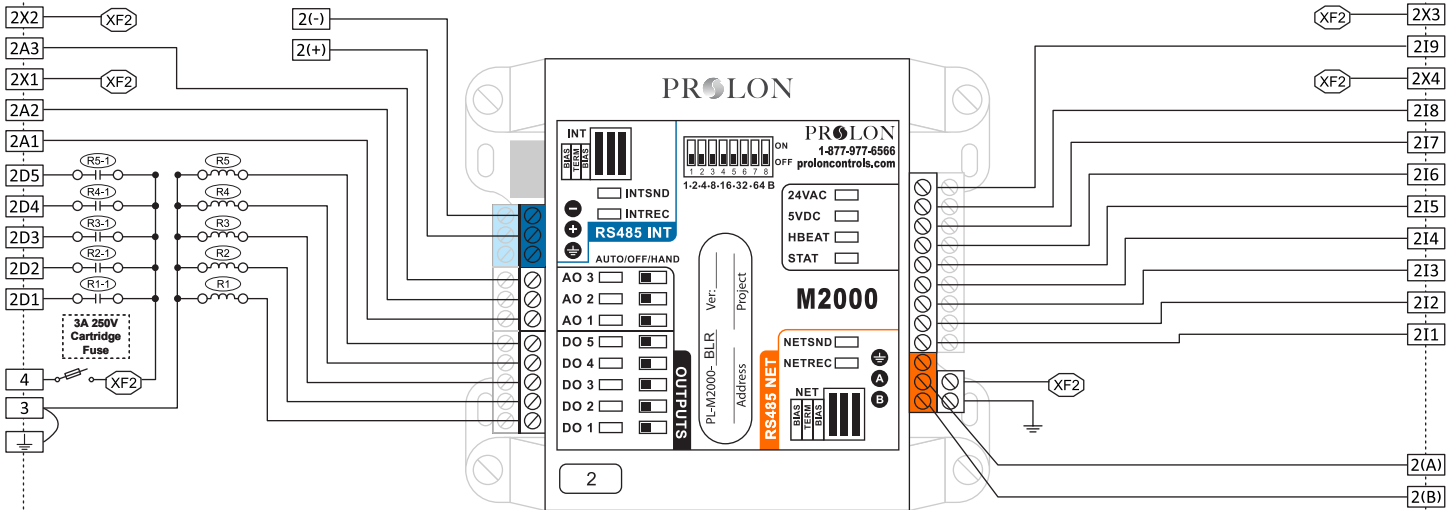
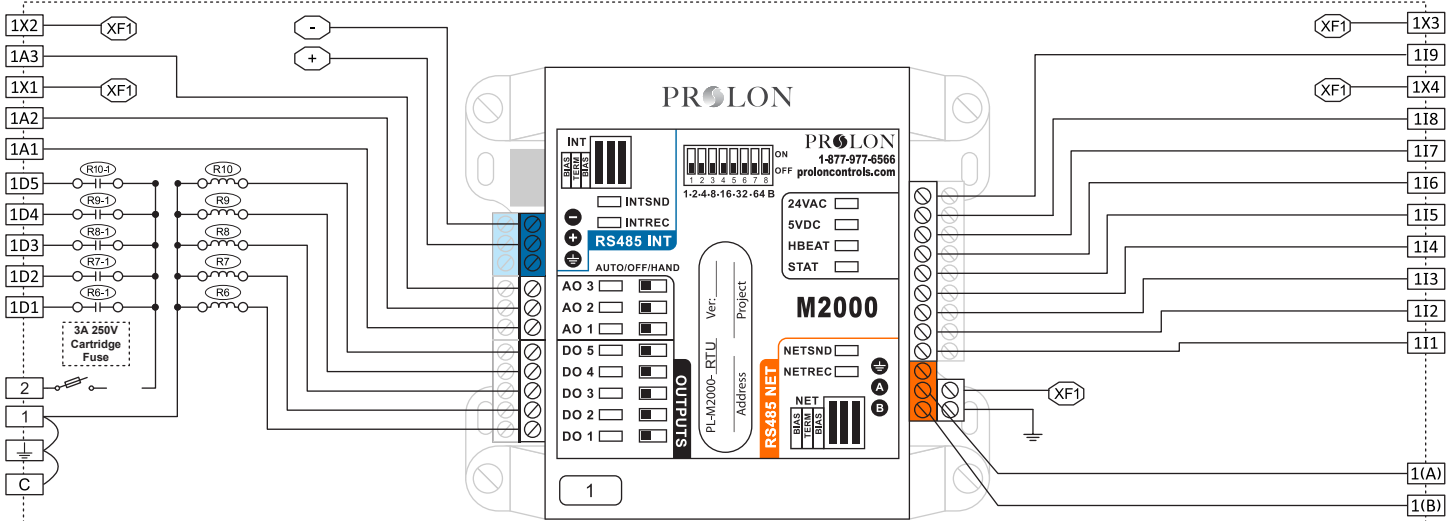


PL-PN3-1A-7C-7M / PL-PN3-1B-7C-7M

VERSION 2

Internal Electrical Wiring Diagram



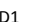
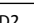
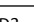

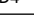
Legend

- R1 - R2 - R3 - R4 - R5 : Single pole, double throw relays
- R6 - R7 - R8 - R9 - R10
- XF1 - XF2: Interconnection carrying 24VAC
- : Interconnection carrying M2000 INT B (-)
- +: Interconnection carrying M2000 INT A (+)

Field Wiring Details

ALL TERMINALS: Use Copper Conductors Only, 105°C/220°F, Maximum Torque Conductor Mounting: 0.5Nm

Terminal	Function	Ratings
	GROUND	N/A
1	Supply Input Common	N/A
2	Supply Input 24VAC (XF1)	24VAC, 3A, 60Hz
1D1	  - Fan Output (G)	24VAC, 300mA
1D2	  - Cooling Output 1 (Y1)	24VAC, 300mA
1D3	  - Cooling Output 2 (Y2)	24VAC, 300mA
1D4	  - Heating Output 1 (W1)	24VAC, 300mA
1D5	 - Heating Output 2 (W2) or Exhaust Fan	24VAC, 300mA
1A1	Modulating Heating Output	0-10VDC, 40mA
1A2	Economizer Controller Output	0-10VDC, 40mA
1X1	Economizer Supply	24VAC, 8.5VA
1A3	Bypass or VFD Control Output	0-10VDC, 40mA
1X2	Bypass or VFD Supply	24VAC, 5VA
1X3	Static Pressure Sensor Supply	24VAC, 0.03A
1I9	Static Pressure Sensor / Input Signal	0-5VDC, 5uA
1X4	CO2 Sensor Supply	24VAC, 6.7VA
1I8	CO2 Sensor Input Signal	4-20mA, 1-5VDC
1I7	Dry Contact for Proof of Fan	N/A
1I6	Zone Setpoint Potentiometer (0-9K)	N/A
1I5	Zone Temperature Thermistor (10K Type 3)	N/A
1I4	Variable Function Temperature Sensor	N/A
1I3	Supply Air Temperature Thermistor (10K Type 3)	N/A
1I2	Return Air Temperature Thermistor (10K Type 3)	N/A
1I1	Outside Air Temperature Thermistor (10K Type 3)	N/A
1(+)	NC2000 / M2000 RS485 INT A (+)	N/A
1(-)	NC2000 / M2000 RS485 INT B (-)	N/A
1(A)	M2000 RS485 NET A (+)	N/A
1(B)	M2000 RS485 NET B (-)	N/A
X1	NC2000 Ethernet Connection (Use CAT5e Patch Cable)	N/A

Terminal	Function	Ratings
3	Supply Input Common	N/A
4	Supply Input 24VAC (XF1)	24VAC, 3A, 60Hz
2D1	 - Boiler Stage 1 Output	24VAC, 300mA
2D2	 - Boiler Stage 2 Output	24VAC, 300mA
2D3	 - Boiler Stage 3 Output	24VAC, 300mA
2D4	 - Boiler Stage 4 Output	24VAC, 300mA
2D5	 - Pump 1 (BLR) Output	24VAC, 300mA
2A1	Pump 2 (BLR) Output	0-10VDC, 40mA
2A2	Modulating Boiler Output	0-10VDC, 40mA
2X1	24VAC Supply	24VAC, 8.5VA
2A3	Valve or Backup Modulating Boiler	0-10VDC, 40mA
2X2	24VAC Supply	24VAC, 5VA
2X3	24VAC Supply	24VAC, 0.03A
2I9	N/A	N/A
2X4	24VAC Supply	24VAC, 6.7VA
2I8	N/A	N/A
2I7	Dry Contact to Disable Boiler Call	N/A
2I6	Dry Contact for Max Heat Setpoint	N/A
2I5	Dry Contact for Proof of Pump 2 (BLR)	N/A
2I4	Dry Contact for Proof of Pump 1 (BLR)	N/A
2I3	BLR Return Water Temperature Thermistor (10K Type 3)	N/A
2I2	BLR Supply Water Temperature Thermistor (10K Type 3)	N/A
2I1	BLR Outside Air Temperature Thermistor (10K Type 3)	N/A
2(+)	M2000 RS485 INT A (+)	N/A
2(-)	M2000 RS485 INT B (-)	N/A
2(A)	M2000 RS485 NET A (+)	N/A
2(B)	M2000 RS485 NET B (-)	N/A
C	COMMON	N/A