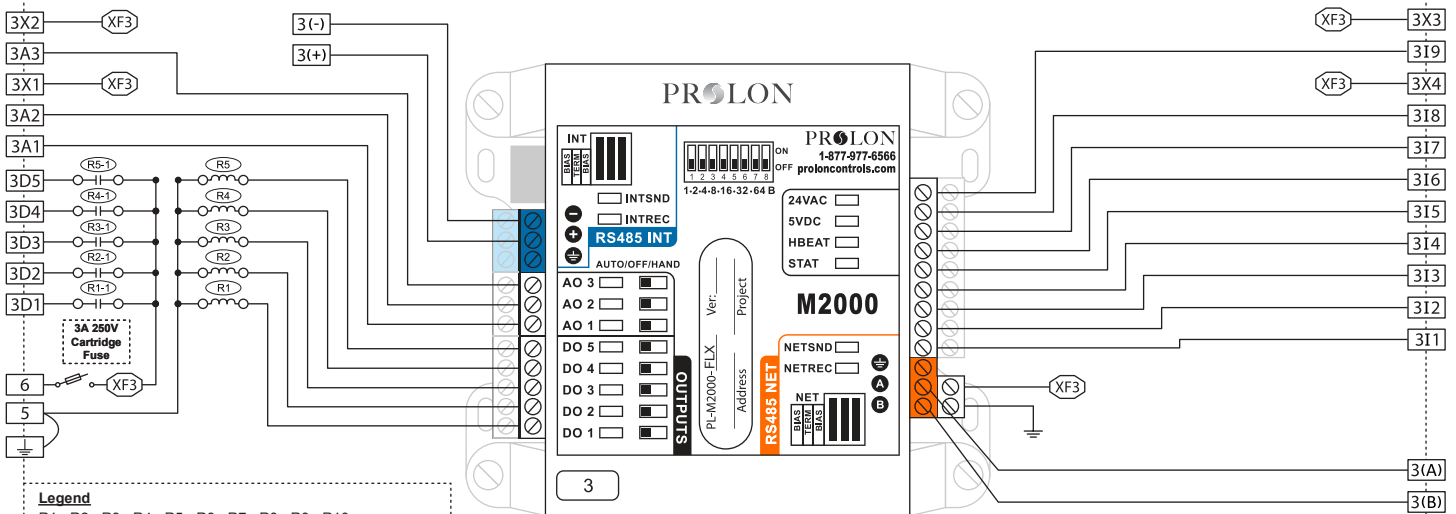
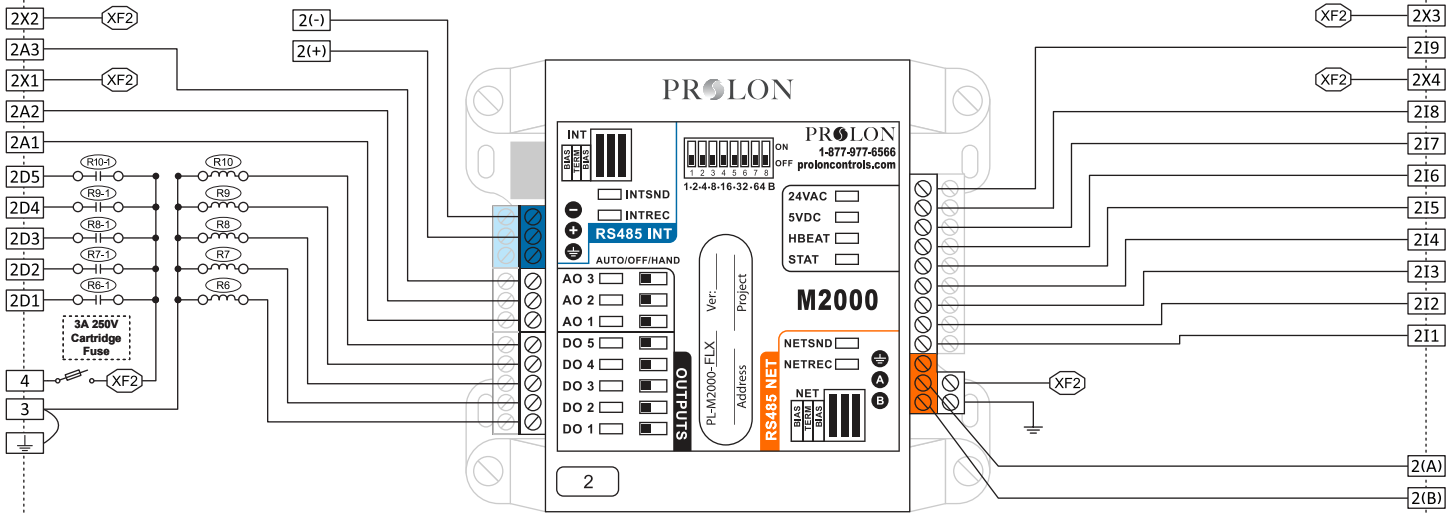
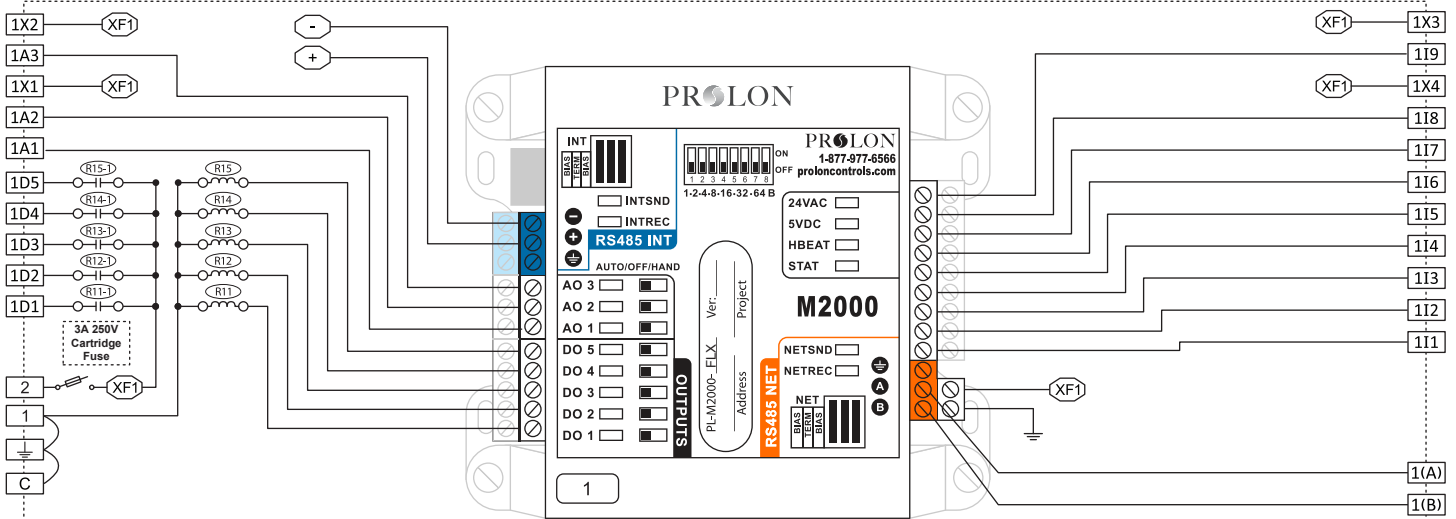


PL-PN3-7F-7F-7F

Internal Electrical Wiring Diagram

VERSION 2



Legend

- R1 - R2 - R3 - R4 - R5 - R6 - R7 - R8 - R9 - R10
- R11 - R12 - R13 - R14 - R15: Single pole, double throw relays
- XF1 - XF2 - XF3: Interconnection carrying 24VAC
- : Interconnection carrying M2000 INT B (-)
- +: Interconnection carrying M2000 INT A (+)

Field Wiring Details

ALL TERMINALS: Use Copper Conductors Only, 105°C/220°F, Maximum Torque Conductor Mounting: 0.5Nm

Terminal	Function	Ratings
	GROUND	N/A
1	Supply Input Common	N/A
2	Supply Input 24VAC (XF1)	24VAC, 3A, 60Hz
1D1	- Digital Output 1	24VAC, 300mA
1D2	- Digital Output 2	24VAC, 300mA
1D3	- Digital Output 3	24VAC, 300mA
1D4	- Digital Output 4	24VAC, 300mA
1D5	- Digital Output 5	24VAC, 300mA
1A1	Analog Output 1	0-10VDC, 40mA
1A2	Analog Output 2	0-10VDC, 40mA
1X1	Power Supply 24VAC	24VAC, 8.5VA
1A3	Analog Output 3	0-10VDC, 40mA
1X2	Power Supply 24VAC	24VAC, 5VA
1X3	Power Supply 24VAC	24VAC, 0.03A
1I9	Analog Input 9	5VDC, 20mA
1X4	Power Supply 24VAC	24VAC, 6.7VA
1I8	Analog Input 8	5VDC, 20mA
1I7	Analog Input 7	5VDC, 20mA
1I6	Analog Input 6	5VDC, 20mA
1I5	Analog Input 5	5VDC, 20mA
1I4	Analog Input 4	5VDC, 20mA
1I3	Analog Input 3	5VDC, 20mA
1I2	Analog Input 2	5VDC, 20mA
1I1	Analog Input 1	5VDC, 20mA
1(+)	M2000 / M2000 RS485 INT A (+)	N/A
1(-)	M2000 / M2000 RS485 INT B (-)	N/A
1(A)	M2000 RS485 NET A (+)	N/A
1(B)	M2000 RS485 NET B (-)	N/A
3	Supply Input Common	N/A
4	Supply Input 24VAC (XF2)	24VAC, 3A, 60Hz
2D1	- Digital Output 1	24VAC, 300mA
2D2	- Digital Output 2	24VAC, 300mA
2D3	- Digital Output 3	24VAC, 300mA
2D4	- Digital Output 4	24VAC, 300mA
2D5	- Digital Output 5	24VAC, 300mA
2A1	Analog Output 1	0-10VDC, 40mA
2A2	Analog Output 2	0-10VDC, 40mA
2X1	Power Supply 24VAC	24VAC, 8.5VA
2A3	Analog Output 3	0-10VDC, 40mA
2X2	Power Supply 24VAC	24VAC, 5VA
2X3	Power Supply 24VAC	24VAC, 0.03A
2I9	Analog Input 9	5VDC, 20mA
2X4	Power Supply 24VAC	24VAC, 6.7VA

Terminal	Function	Ratings
2I8	Analog Input 8	5VDC, 20mA
2I7	Analog Input 7	5VDC, 20mA
2I6	Analog Input 6	5VDC, 20mA
2I5	Analog Input 5	5VDC, 20mA
2I4	Analog Input 4	5VDC, 20mA
2I3	Analog Input 3	5VDC, 20mA
2I2	Analog Input 2	5VDC, 20mA
2I1	Analog Input 1	5VDC, 20mA
2(+)	M2000 / M2000 RS485 INT A (+)	N/A
2(-)	M2000 / M2000 RS485 INT B (-)	N/A
2(A)	M2000 RS485 NET A (+)	N/A
2(B)	M2000 RS485 NET B (-)	N/A
5	Supply Input Common	N/A
6	Supply Input 24VAC (XF3)	24VAC, 3A, 60Hz
3D1	- Digital Output 1	24VAC, 300mA
3D2	- Digital Output 2	24VAC, 300mA
3D3	- Digital Output 3	24VAC, 300mA
3D4	- Digital Output 4	24VAC, 300mA
3D5	- Digital Output 5	24VAC, 300mA
3A1	Analog Output 1	0-10VDC, 40mA
3A2	Analog Output 2	0-10VDC, 40mA
3X1	Power Supply 24VAC	24VAC, 8.5VA
3A3	Analog Output 3	0-10VDC, 40mA
3X2	Power Supply 24VAC	24VAC, 5VA
3X3	Power Supply 24VAC	24VAC, 0.03A
3I9	Analog Input 9	5VDC, 20mA
3X4	Power Supply 24VAC	24VAC, 6.7VA
3I8	Analog Input 8	5VDC, 20mA
3I7	Analog Input 7	5VDC, 20mA
3I6	Analog Input 6	5VDC, 20mA
3I5	Analog Input 5	5VDC, 20mA
3I4	Analog Input 4	5VDC, 20mA
3I3	Analog Input 3	5VDC, 20mA
3I2	Analog Input 2	5VDC, 20mA
3I1	Analog Input 1	5VDC, 20mA
3(+)	M2000 RS485 INT A (+)	N/A
3(-)	M2000 RS485 INT B (-)	N/A
3(A)	M2000 RS485 NET A (+)	N/A
3(B)	M2000 RS485 NET B (-)	N/A
C	COMMON	N/A



1-877-9PROLON

www.proloncontrols.com

This device complies with Part 15 of the FCC Rules. Operation is subject to the following two conditions: (1) this device may not cause harmful interference, and (2) this device must accept any interference received, including interference that may cause undesired operation.

info@proloncontrols.com