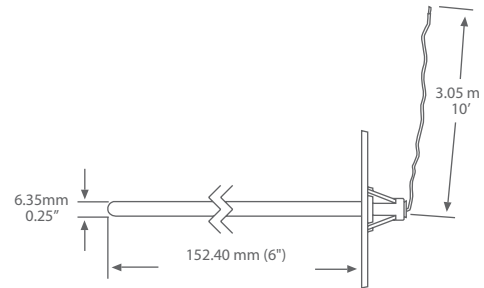
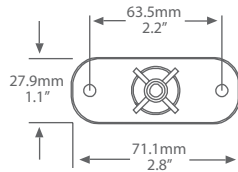


## PL-DT-T6 – Duct Temperature Sensor



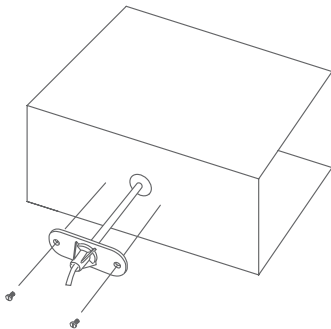
### Product Description

The PL-DT-T6 single point duct temperature sensor utilizes a precision sensor encapsulated in a 0.25" (6.35 mm) OD, 304 series stainless steel probe. Probe provides excellent heat transfer, fast response and resistance to moisture penetration. The PL-DT-T6 comes with an integrated mounting bracket and 10' (3.05 m) of plenum rated cable for connection to the Prolon Building Automation System.

### Typical Installation

The duct type probes are installed through a hole in the side of the duct to monitor a single point temperature within the duct. Note that the probe is tip sensitive. Install the probe into a straight section of duct at a suitable distance downstream from any heating, cooling or humidification devices.

Two holes are provided on the bracket to secure the sensor to the duct.



### Technical Specifications

SENSOR TYPE	10,000 $\Omega$ Type 3, NTC Thermistor, $\pm 0.2^\circ\text{C}$
TEMPERATURE RANGE	-4 to 140°F (-20 to 60°C)
WIRE MATERIAL	FT -6 rated plenum cable, 22 AWG
WIRE LENGTH	10' (3.05m)
PROBE MATERIAL	304 series stainless steel
PROBE DIAMETER	0.25" (6.35mm)
PROBE LENGTH	6" (152.40 mm)
BRACKET MATERIAL	ABS, UL94-V0
TERMINATION	Pigtail
COUNTRY OF ORIGIN	Canada

